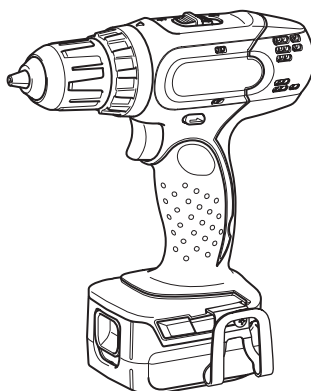




EN	Cordless Driver Drill	INSTRUCTION MANUAL	4
SL	Brezžični vijačni vrtalnik	NAVODILA ZA UPORABO	10
SQ	Trapan me bateri	MANUALI I PËRDORIMIT	16
BG	Акумулаторна бормашина с винтоверт	РЪКОВОДСТВО ЗА ЕКСПЛОАТАЦИЯ	22
HR	Bežična udarna bušilica	PRIRUČNIK S UPUTAMA	29
MK	Безжична шрафцигер-дупчалка	УПАТСТВО ЗА УПОТРЕБА	35
SR	Бежична бушилица	УПУТСТВО ЗА УПОТРЕБУ	42
RO	Mașină de găurit și înșurubat cu acumulator	MANUAL DE INSTRUCȚIUNI	49
UK	Дриль із бездротовим приводом	ІНСТРУКЦІЯ З ЕКСПЛУАТАЦІЇ	56
RU	Аккумуляторная Дрель-шуруповерт	РУКОВОДСТВО ПО ЭКСПЛУАТАЦИИ	63

DDF343
DDF453



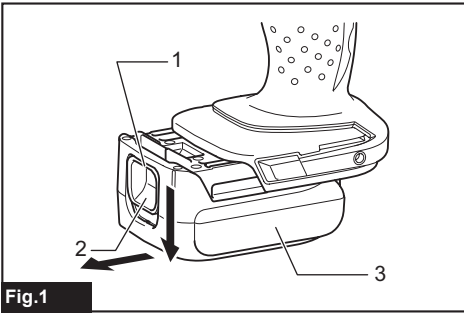


Fig.1

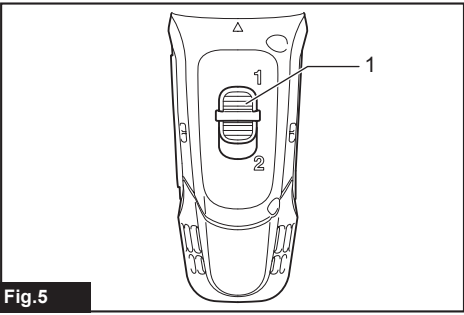


Fig.5



Fig.2

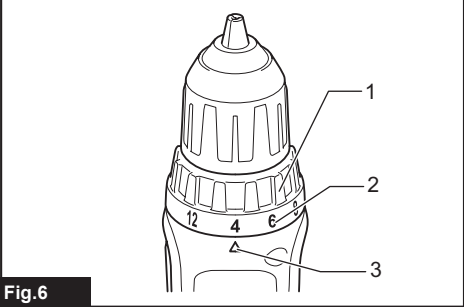


Fig.6

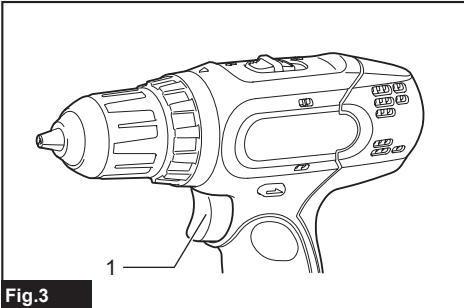


Fig.3

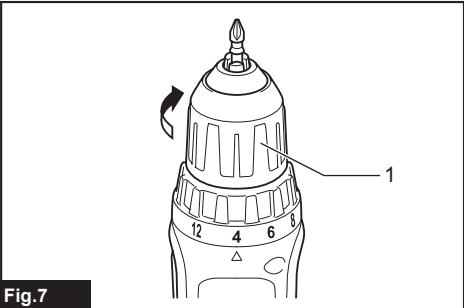


Fig.7

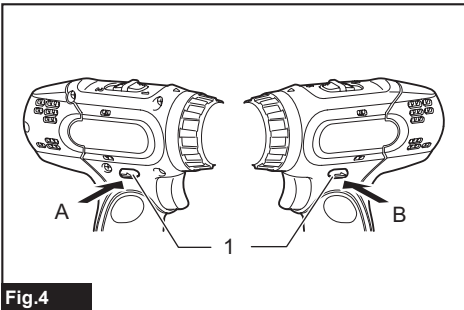


Fig.4

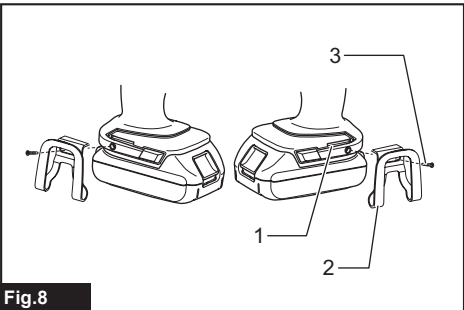


Fig.8

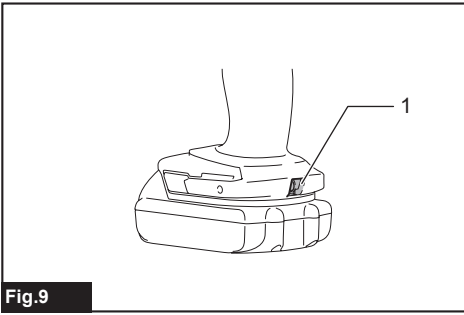


Fig.9

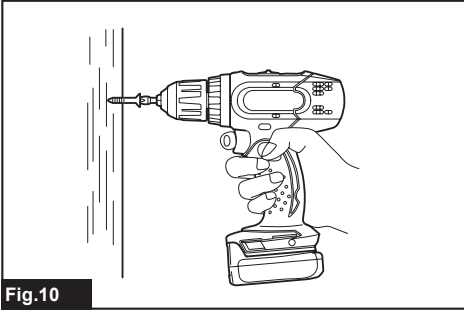


Fig.10

SPECIFICATIONS

Model:		DDF343	DDF453
Drilling capacities	Steel	10 mm	13 mm
	Wood	25 mm	36 mm
Fastening capacities	Wood screw	5.1 mm x 63 mm	6 mm x 75 mm
	Machine screw	M6	
No load speed	High (2)	0 - 1,300 min ⁻¹	
	Low (1)	0 - 400 min ⁻¹	
Overall length		192 mm	214 mm
Rated voltage		D.C. 14.4 V	D.C. 18 V
Net weight		1.4 - 1.7 kg	1.7 - 2.0 kg

- Due to our continuing program of research and development, the specifications herein are subject to change without notice.
- Specifications may differ from country to country.
- The weight may differ depending on the attachment(s), including the battery cartridge. The lightest and heaviest combination, according to EPTA-Procedure 01/2014, are shown in the table.

Applicable battery cartridge and charger

Battery cartridge	D.C. 14.4 V Model	BL1415N / BL1430B / BL1440 / BL1460B
	D.C. 18 V Model	BL1815N / BL1820B / BL1830B / BL1840B / BL1850B / BL1860B
Charger		DC18RC / DC18RD / DC18RE / DC18SD / DC18SE / DC18SF / DC18SH / DC18WC

- Some of the battery cartridges and chargers listed above may not be available depending on your region of residence.

⚠WARNING: Only use the battery cartridges and chargers listed above. Use of any other battery cartridges and chargers may cause injury and/or fire.

Intended use

The tool is intended for drilling and screw driving in wood, metal and plastic.

Noise

The typical A-weighted noise level determined according to EN62841-2-1:

Model DDF343

Sound pressure level (L_{pA}): 70 dB(A) or less
Uncertainty (K): 3 dB(A)

The noise level under working may exceed 80 dB (A).

Model DDF453

Sound pressure level (L_{pA}): 72 dB(A)
Uncertainty (K): 3 dB(A)

The noise level under working may exceed 80 dB (A).

NOTE: The declared noise emission value(s) has been measured in accordance with a standard test method and may be used for comparing one tool with another.

NOTE: The declared noise emission value(s) may also be used in a preliminary assessment of exposure.

⚠WARNING: Wear ear protection.

⚠WARNING: The noise emission during actual use of the power tool can differ from the declared value(s) depending on the ways in which the tool is used especially what kind of workpiece is processed.

⚠WARNING: Be sure to identify safety measures to protect the operator that are based on an estimation of exposure in the actual conditions of use (taking account of all parts of the operating cycle such as the times when the tool is switched off and when it is running idle in addition to the trigger time).

Vibration

The vibration total value (tri-axial vector sum) determined according to EN62841-2-1:

Work mode: drilling into metal
Vibration emission ($a_{h,D}$): 2.5 m/s² or less
Uncertainty (K): 1.5 m/s²

NOTE: The declared vibration total value(s) has been measured in accordance with a standard test method and may be used for comparing one tool with another.

NOTE: The declared vibration total value(s) may also be used in a preliminary assessment of exposure.

⚠WARNING: The vibration emission during actual use of the power tool can differ from the declared value(s) depending on the ways in which the tool is used especially what kind of workpiece is processed.

⚠WARNING: Be sure to identify safety measures to protect the operator that are based on an estimation of exposure in the actual conditions of use (taking account of all parts of the operating cycle such as the times when the tool is switched off and when it is running idle in addition to the trigger time).

EC Declaration of Conformity

For European countries only

The EC declaration of conformity is included as Annex A to this instruction manual.

SAFETY WARNINGS

General power tool safety warnings

⚠WARNING: Read all safety warnings, instructions, illustrations and specifications provided with this power tool. Failure to follow all instructions listed below may result in electric shock, fire and/or serious injury.

Save all warnings and instructions for future reference.

The term "power tool" in the warnings refers to your mains-operated (corded) power tool or battery-operated (cordless) power tool.

Cordless driver drill safety warnings

Safety instructions for all operations

1. **Hold the power tool by insulated gripping surfaces, when performing an operation where the cutting accessory or fasteners may contact hidden wiring.** Cutting accessory or fasteners contacting a "live" wire may make exposed metal parts of the power tool "live" and could give the operator an electric shock.
2. **Always be sure you have a firm footing. Be sure no one is below when using the tool in high locations.**
3. **Hold the tool firmly.**
4. **Keep hands away from rotating parts.**
5. **Do not leave the tool running. Operate the tool only when hand-held.**
6. **Do not touch the drill bit, the workpiece or chips immediately after operation; they may be extremely hot and could burn your skin.**

7. **Some material contains chemicals which may be toxic. Take caution to prevent dust inhalation and skin contact. Follow material supplier safety data.**
8. **If the drill bit cannot be loosened even you open the jaws, use pliers to pull it out.** In such a case, pulling out the drill bit by hand may result in injury by its sharp edge.
9. **Make sure there are no electrical cables, water pipes, gas pipes etc. that could cause a hazard if damaged by use of the tool.**

Safety instructions when using long drill bits

1. **Never operate at higher speed than the maximum speed rating of the drill bit.** At higher speeds, the bit is likely to bend if allowed to rotate freely without contacting the workpiece, resulting in personal injury.
2. **Always start drilling at low speed and with the bit tip in contact with the workpiece.** At higher speeds, the bit is likely to bend if allowed to rotate freely without contacting the workpiece, resulting in personal injury.
3. **Apply pressure only in direct line with the bit and do not apply excessive pressure.** Bits can bend causing breakage or loss of control, resulting in personal injury.

SAVE THESE INSTRUCTIONS.

⚠WARNING: DO NOT let comfort or familiarity with product (gained from repeated use) replace strict adherence to safety rules for the subject product. MISUSE or failure to follow the safety rules stated in this instruction manual may cause serious personal injury.

Important safety instructions for battery cartridge

1. **Before using battery cartridge, read all instructions and cautionary markings on (1) battery charger, (2) battery, and (3) product using battery.**
2. **Do not disassemble or tamper with the battery cartridge.** It may result in a fire, excessive heat, or explosion.
3. **If operating time has become excessively shorter, stop operating immediately. It may result in a risk of overheating, possible burns and even an explosion.**
4. **If electrolyte gets into your eyes, rinse them out with clear water and seek medical attention right away. It may result in loss of your eyesight.**
5. **Do not short the battery cartridge:**
 - (1) **Do not touch the terminals with any conductive material.**
 - (2) **Avoid storing battery cartridge in a container with other metal objects such as nails, coins, etc.**
 - (3) **Do not expose battery cartridge to water or rain.**

A battery short can cause a large current flow, overheating, possible burns and even a breakdown.

6. **Do not store and use the tool and battery cartridge in locations where the temperature may reach or exceed 50 °C (122 °F).**
7. **Do not incinerate the battery cartridge even if it is severely damaged or is completely worn out. The battery cartridge can explode in a fire.**
8. **Do not nail, cut, crush, throw, drop the battery cartridge, or hit against a hard object to the battery cartridge.** Such conduct may result in a fire, excessive heat, or explosion.
9. **Do not use a damaged battery.**
10. **The contained lithium-ion batteries are subject to the Dangerous Goods Legislation requirements.**
For commercial transports e.g. by third parties, forwarding agents, special requirement on packaging and labeling must be observed.
For preparation of the item being shipped, consulting an expert for hazardous material is required.
Please also observe possibly more detailed national regulations.
Tape or mask off open contacts and pack up the battery in such a manner that it cannot move around in the packaging.
11. **When disposing the battery cartridge, remove it from the tool and dispose of it in a safe place. Follow your local regulations relating to disposal of battery.**
12. **Use the batteries only with the products specified by Makita.** Installing the batteries to non-compliant products may result in a fire, excessive heat, explosion, or leak of electrolyte.
13. **If the tool is not used for a long period of time, the battery must be removed from the tool.**
14. **During and after use, the battery cartridge may take on heat which can cause burns or low temperature burns. Pay attention to the handling of hot battery cartridges.**
15. **Do not touch the terminal of the tool immediately after use as it may get hot enough to cause burns.**
16. **Do not allow chips, dust, or soil stuck into the terminals, holes, and grooves of the battery cartridge.** It may cause heating, catching fire, burst and malfunction of the tool or battery cartridge, resulting in burns or personal injury.
17. **Unless the tool supports the use near high-voltage electrical power lines, do not use the battery cartridge near high-voltage electrical power lines.** It may result in a malfunction or breakdown of the tool or battery cartridge.
18. **Keep the battery away from children.**

SAVE THESE INSTRUCTIONS.

CAUTION: Only use genuine Makita batteries. Use of non-genuine Makita batteries, or batteries that have been altered, may result in the battery bursting causing fires, personal injury and damage. It will also void the Makita warranty for the Makita tool and charger.

Tips for maintaining maximum battery life

1. **Charge the battery cartridge before completely discharged. Always stop tool operation and charge the battery cartridge when you notice less tool power.**
2. **Never recharge a fully charged battery cartridge. Overcharging shortens the battery service life.**
3. **Charge the battery cartridge with room temperature at 10 °C - 40 °C (50 °F - 104 °F). Let a hot battery cartridge cool down before charging it.**
4. **When not using the battery cartridge, remove it from the tool or the charger.**
5. **Charge the battery cartridge if you do not use it for a long period (more than six months).**

FUNCTIONAL DESCRIPTION

CAUTION: Always be sure that the tool is switched off and the battery cartridge is removed before adjusting or checking function on the tool.

Installing or removing battery cartridge

CAUTION: Always switch off the tool before installing or removing of the battery cartridge.

CAUTION: Hold the tool and the battery cartridge firmly when installing or removing battery cartridge. Failure to hold the tool and the battery cartridge firmly may cause them to slip off your hands and result in damage to the tool and battery cartridge and a personal injury.

► Fig.1: 1. Red indicator 2. Button 3. Battery cartridge

To remove the battery cartridge, slide it from the tool while sliding the button on the front of the cartridge.

To install the battery cartridge, align the tongue on the battery cartridge with the groove in the housing and slip it into place. Insert it all the way until it locks in place with a little click. If you can see the red indicator as shown in the figure, it is not locked completely.

CAUTION: Always install the battery cartridge fully until the red indicator cannot be seen. If not, it may accidentally fall out of the tool, causing injury to you or someone around you.

CAUTION: Do not install the battery cartridge forcibly. If the cartridge does not slide in easily, it is not being inserted correctly.

Indicating the remaining battery capacity

Only for battery cartridges with the indicator

► Fig.2: 1. Indicator lamps 2. Check button

Press the check button on the battery cartridge to indicate the remaining battery capacity. The indicator lamps light up for a few seconds.

Indicator lamps			Remaining capacity
Lighted	Off	Blinking	
■	□	▧	75% to 100%
■	■	■	
■	■	□	
■	■	□	
■	□	□	50% to 75%
■	□	□	25% to 50%
■	□	□	0% to 25%
▧	□	□	Charge the battery.
■	■	□	The battery may have malfunctioned.
□	□	■	

NOTE: Depending on the conditions of use and the ambient temperature, the indication may differ slightly from the actual capacity.

NOTE: The first (far left) indicator lamp will blink when the battery protection system works.

Tool / battery protection system

The tool is equipped with a tool/battery protection system. This system automatically cuts off the power to extend tool and battery life. The tool will automatically stop during operation if the tool or battery is placed under one of the following conditions:

Overload protection

This protection works when the tool is operated in a manner that causes it to draw an abnormally high current. In this situation, turn the tool off and stop the application that caused the tool to become overloaded. Then turn the tool on to restart.

Overheat protection

This protection works when the tool or battery is overheated. In this situation, let the tool and battery cool before turning the tool on again.

Overdischarge protection

This protection works when the remaining battery capacity gets low. In this situation, remove the battery from the tool and charge the battery.

Switch action

► Fig.3: 1. Switch trigger

CAUTION: Before installing the battery cartridge into the tool, always check to see that the switch trigger actuates properly and returns to the "OFF" position when released.

To start the tool, simply pull the switch trigger. Tool speed is increased by increasing pressure on the switch trigger. Release the switch trigger to stop.

Reversing switch action

► Fig.4: 1. Reversing switch lever

CAUTION: Always check the direction of rotation before operation.

CAUTION: Use the reversing switch only after the tool comes to a complete stop. Changing the direction of rotation before the tool stops may damage the tool.

CAUTION: When not operating the tool, always set the reversing switch lever to the neutral position.

This tool has a reversing switch to change the direction of rotation. Depress the reversing switch lever from the A side for clockwise rotation or from the B side for counterclockwise rotation.

When the reversing switch lever is in the neutral position, the switch trigger cannot be pulled.

Speed change

► Fig.5: 1. Speed change lever

CAUTION: Always set the speed change lever fully to the correct position. If you operate the tool with the speed change lever positioned halfway between the "1" side and "2" side, the tool may be damaged.

CAUTION: Do not use the speed change lever while the tool is running. The tool may be damaged.



Position of speed change lever	Speed	Torque	Applicable operation
1	Low	High	Heavy loading operation
2	High	Low	Light loading operation

To change the speed, switch off the tool first. Select the "2" side for high speed or "1" for low speed but high torque. Be sure that the speed change lever is set to the correct position before operation.

If the tool speed is coming down extremely during the operation with "2", slide the lever to the "1" and restart the operation.

Adjusting the fastening torque

► **Fig.6:** 1. Adjusting ring 2. Graduation 3. Arrow

The fastening torque can be adjusted in 17 levels by turning the adjusting ring. Align the graduations with the arrow on the tool body. You can get the minimum fastening torque at 1 and maximum torque at  marking. The clutch will slip at various torque levels when set at the number 1 to 16. The clutch does not work at the  marking.

Before actual operation, drive a trial screw into your material or a piece of duplicate material to determine which torque level is required for a particular application.

ASSEMBLY

⚠ CAUTION: Always be sure that the tool is switched off and the battery cartridge is removed before carrying out any work on the tool.

Installing or removing driver bit/drill bit

► **Fig.7:** 1. Sleeve

Turn the sleeve counterclockwise to open the chuck jaws. Place the driver bit/drill bit in the chuck as far as it will go. Turn the sleeve clockwise to tighten the chuck. To remove the driver bit/drill bit, turn the sleeve counterclockwise.

Installing hook

Optional accessory

⚠ WARNING: Use the hanging/mounting parts for their intended purposes only, e.g., hanging the tool on a tool belt between jobs or work intervals.

⚠ WARNING: Be careful not to overload the hook as too much force or irregular overburden may cause damages to the tool resulting in personal injury.

⚠ CAUTION: When installing the hook, always secure it with the screw firmly. If not, the hook may come off from the tool and result in the personal injury.

⚠ CAUTION: Make sure to hang the tool securely before releasing your hold. Insufficient or unbalanced hooking may cause falling off and you may be injured.

► **Fig.8:** 1. Groove 2. Hook 3. Screw

The hook is convenient for temporarily hanging the tool. This can be installed on either side of the tool. To install the hook, insert it into a groove in the tool housing on either side and then secure it with a screw. To remove, loosen the screw and then take it out.

Using hole

⚠ WARNING: Never use the hanging hole for unintended purpose, for instance, tethering the tool at high location. Bearing stress in a heavily loaded hole may cause damages to the hole, resulting in injuries to you or people around or below you.

► **Fig.9:** 1. Hanging hole

Use the hanging hole at the bottom rear of the tool to hang the tool on a wall using a hanging cord or similar strings.

OPERATION

⚠ CAUTION: Always insert the battery cartridge all the way until it locks in place. If you can see the red indicator on the upper side of the button, it is not locked completely. Insert it fully until the red indicator cannot be seen. If not, it may accidentally fall out of the tool, causing injury to you or someone around you.

⚠ CAUTION: When the speed comes down extremely, reduce the load or stop the tool to avoid the tool damage.

Hold the tool firmly with one hand on the grip and the other hand on the bottom of the battery cartridge to control the twisting action.

► **Fig.10**

Screwdriving operation


⚠ CAUTION: Adjust the adjusting ring to the proper torque level for your work.

⚠ CAUTION: Make sure that the driver bit is inserted straight in the screw head, or the screw and/or driver bit may be damaged.

Place the point of the driver bit in the screw head and apply pressure to the tool. Start the tool slowly and then increase the speed gradually. Release the switch trigger as soon as the clutch cuts in.

NOTE: When driving wood screw, pre-drill a pilot hole 2/3 the diameter of the screw. It makes driving easier and prevents splitting of the workpiece.

Drilling operation

First, turn the adjusting ring so that the arrow points to the  marking. Then proceed as follows.

Drilling in wood

When drilling in wood, the best results are obtained with wood drills equipped with a guide screw. The guide screw makes drilling easier by pulling the drill bit into the workpiece.

Drilling in metal

To prevent the drill bit from slipping when starting a hole, make an indentation with a center-punch and hammer at the point to be drilled. Place the point of the drill bit in the indentation and start drilling. Use a cutting lubricant when drilling metals. The exceptions are iron and brass which should be drilled dry.

⚠CAUTION: Pressing excessively on the tool will not speed up the drilling. In fact, this excessive pressure will only serve to damage the tip of your drill bit, decrease the tool performance and shorten the service life of the tool.

⚠CAUTION: Hold the tool firmly and exert care when the drill bit begins to break through the workpiece. There is a tremendous force exerted on the tool/drill bit at the time of hole break through.

⚠CAUTION: A stuck drill bit can be removed simply by setting the reversing switch to reverse rotation in order to back out. However, the tool may back out abruptly if you do not hold it firmly.

⚠CAUTION: Always secure workpieces in a vise or similar hold-down device.

⚠CAUTION: If the tool is operated continuously until the battery cartridge has discharged, allow the tool to rest for 15 minutes before proceeding with a fresh battery.

MAINTENANCE

⚠CAUTION: Always be sure that the tool is switched off and the battery cartridge is removed before attempting to perform inspection or maintenance.

NOTICE: Never use gasoline, benzine, thinner, alcohol or the like. Discoloration, deformation or cracks may result.

To maintain product SAFETY and RELIABILITY, repairs, carbon brush inspection and replacement, any other maintenance or adjustment should be performed by Makita Authorized or Factory Service Centers, always using Makita replacement parts.

OPTIONAL ACCESSORIES

⚠CAUTION: These accessories or attachments are recommended for use with your Makita tool specified in this manual. The use of any other accessories or attachments might present a risk of injury to persons. Only use accessory or attachment for its stated purpose.

If you need any assistance for more details regarding these accessories, ask your local Makita Service Center.

- Drill bits
- Driver bits
- Hook
- Makita genuine battery and charger
- Automatic refreshing adapter
- Plastic carrying case

NOTE: Some items in the list may be included in the tool package as standard accessories. They may differ from country to country.

TEHNIČNI PODATKI

Model:		DDF343	DDF453
Vrtalne zmogljivosti	Jeklo	10 mm	13 mm
	Les	25 mm	36 mm
Zatezne zmogljivosti	Lesni vijak	5,1 mm x 63 mm	6 mm x 75 mm
	Strojni vijak	M6	
Hitrost brez obremenitve	Visoka (2)	0 - 1.300 min ⁻¹	
	Nizka (1)	0 - 400 min ⁻¹	
Celotna dolžina		192 mm	214 mm
Nazivna napetost		D.C. 14,4 V	D.C. 18 V
Neto teža		1,4 – 1,7 kg	1,7 – 2,0 kg

- Ker nenehno opravljamo raziskave in razvijamo svoje izdelke, se lahko tehnični podatki in tem dokumentu spremenijo brez obvestila.
- Tehnični podatki se lahko razlikujejo od države do države.
- Teža se lahko razlikuje glede na priključke, vključno z akumulatorsko baterijo. Najlažja in najtežja kombinacija v skladu s postopkom EPTA 01/2014 sta prikazani v preglednici.

Uporabna akumulatorska baterija in polnilnik

Baterijski vložek	Model D.C. 14,4 V	BL1415N / BL1430B / BL1440 / BL1460B
	Model D.C. 18 V	BL1815N / BL1820B / BL1830B / BL1840B / BL1850B / BL1860B
Polnilnik	DC18RC / DC18RD / DC18RE / DC18SD / DC18SE / DC18SF / DC18SH / DC18WC	

- Nekatere zgoraj navedene akumulatorske baterije in polnilniki morda v vaši državi prebivališča niso na voljo.

⚠ OPOZORILO: Uporabljajte le zgoraj navedene akumulatorske baterije in polnilnike. Uporaba drugih akumulatorskih baterij in polnilnikov lahko povzroči telesne poškodbe in/ali požar.

Predvidena uporaba

Orodje je namenjeno za vrtnenje in vijačenje v les, kovino in plastiko.

Hrup

Običajna A-ovrednotena raven hrupa v skladu z EN62841-2-1:

Model DDF343

Raven zvočnega tlaka (L_{pA}): 70 dB (A) ali manj
Odstopanje (K): 3 dB (A)

Nivo hrupa med delom lahko preseže 80 dB (A).

Model DDF453

Raven zvočnega tlaka (L_{pA}): 72 dB (A)
Odstopanje (K): 3 dB (A)

Nivo hrupa med delom lahko preseže 80 dB (A).

OPOMBA: Navedene vrednosti oddajanja hrupa so bile izmerjene v skladu s standardnimi metodami testiranja in se lahko uporabljajo za primerjavo orodij.

OPOMBA: Navedene vrednosti oddajanja hrupa se lahko uporabljajo tudi pri predhodni oceni izpostavljenosti.

⚠ OPOZORILO: Uporabljajte zaščito za sluh.

⚠ OPOZORILO: Oddajanje hrupa med dejansko uporabo električnega orodja se lahko razlikuje od navedenih vrednosti, odvisno od načina uporabe orodja in predvsem vrste obdelovanca.

⚠ OPOZORILO: Upravljevec mora za lastno zaščito poznati varnostne ukrepe, ki temeljijo na oceni izpostavljenosti v dejanskih pogojih uporabe (poleg časa proženja je treba upoštevati celoten delovni cikel, vključno s časom, ko je orodje izklopljeno, in časom, ko deluje v prostem teku).

Vibracije

Skupne vrednosti vibracij (vektorska vsota treh osi) v skladu z EN62841-2-1:

Delovni način: vrtnenje v kovino

Emisije vibracij ($a_{h,D}$): 2,5 m/s² ali manj

Odstopanje (K): 1,5 m/s²

OPOMBA: Navedene skupne vrednosti oddajanja vibracij so bile izmerjene v skladu s standardnimi metodami testiranja in se lahko uporabljajo za primerjavo orodij.

OPOMBA: Navedene skupne vrednosti oddajanja vibracij se lahko uporabljajo tudi pri predhodni oceni izpostavljenosti.

⚠ OPOZORILO: Oddajanje vibracij med dejansko uporabo električnega orodja se lahko razlikuje od navedenih vrednosti, odvisno od načina uporabe orodja in predvsem vrste obdelovanca.

⚠ OPOZORILO: Upravljalavec mora za lastno zaščito poznati varnostne ukrepe, ki temeljijo na oceni izpostavljenosti v dejanskih pogojih uporabe (poleg časa proženja je treba upoštevati celoten delovni cikel, vključno s časom, ko je orodje izklopljeno, in časom, ko deluje v prostem teku).

Izjava o skladnosti ES

Samo za evropske države

Izjava ES o skladnosti je vključena v dodatku A, ki je priložen tem navodilom za uporabo.

VARNOSTNA OPOZORIILA

Splošna varnostna opozorila za električno orodje

⚠ OPOZORILO: Preberite vsa varnostna opozorila in navodila s slikami in tehničnimi podatki, ki so dobavljeni skupaj z električnim orodjem. Ob neupoštevanju spodaj navedenih navodil obstaja nevarnost električnega udara, požara in/ali hudih telesnih poškodb.

Shranite vsa opozorila in navodila za poznejšo uporabo.

Izraz „električno orodje“ v opozorilih se nanaša na vaše električno orodje (s kablom) ali baterijsko električno orodje (brez kabla).

Varnostna opozorila za brezžični vijačnik in vrtalnik

Varnostna navodila za vse načine uporabe

1. Če obstaja nevarnost, da bi z rezalnim pripomočkom ali sponkami prerezali skrito električno napeljavo, držite električno orodje na izoliranih držalnih površinah. Ob stiku rezalnega pripomočka ali sponk z vodniki pod napetostjo dobijo napetost vsi neizolirani kovinski deli električnega orodja, zaradi česar lahko uporabnik utrpi električni udar.
2. Vedno zagotovite, da imate trden oprijem na podlagi, kjer stojite. Kadar uporabljate orodje na višini, se prepričajte, da spodaj ni nikogar.
3. Trdno držite orodje.
4. Ne približujte rok vrtičem se delom.
5. Orodja ne pustite delovati brez nadzora. Dovoljeno ga je uporabljati samo ročno.
6. Neposredno po končani obdelavi se ne dotikajte vrtalnega nastavka, obdelovanca ali ostružkov; lahko so zelo vroči in se lahko z njimi opečete.

7. Nekateri materiali vsebujejo kemikalije, ki so lahko strupene. Bodite previdni in preprečite vdihavanje prahu in stik s kožo. Upoštevajte varnostne podatke dobavitelja materiala.
8. Če vrtalnega nastavka ni mogoče sprostiti, niti ko odprete čeljusti, ga izvlecite s kleščami. V takšnih primerih se lahko pri vlečenju vrtalnega nastavka z roko poškodujete ob ostrmem robu nastavka.
9. Prepričajte se, da v bližini ni električnih kablov, vodovodnih cevi, plinskih cevi in drugih elementov, ki bi predstavljali nevarnost, če bi jih poškodovali z orodjem.

Varnostna navodila za uporabo dolgih vrtalnih nastavkov

1. Nikoli ne uporabljajte vrtalnega nastavka pri hitrosti, ki je višja od njegove največje nazivne hitrosti. Pri višjih hitrostih se lahko nastavek ukrivi, če se prosto vrti brez stika z obdelovancem, zaradi česar lahko pride do telesnih poškodb.
2. Vedno začnite vrtati pri nizki hitrosti, pri čemer mora biti konica nastavka v stiku z obdelovancem. Pri višjih hitrostih se lahko nastavek ukrivi, če se prosto vrti brez stika z obdelovancem, zaradi česar lahko pride do telesnih poškodb.
3. Na orodje pritiskajte samo v smeri nastavka in ne uporabite prekomerne sile. Nastavki se lahko ukrivijo, zaradi česar lahko pride do zloma ali izgube nadzora ter posledično tudi do telesnih poškodb.

SHRANITE TA NAVODILA.

⚠ OPOZORILO: NE dovolite, da bi zaradi udobnejšega dela ali znanja o uporabi izdelka (pridobljenega z večkratno uporabo) opustili strogo upoštevanje varnostnih zahtev v okviru pravilne uporabe orodja. ZLORABA ali neupoštevanje varnostnih zahtev v teh navodilih za uporabo lahko povzroči resne telesne poškodbe.

Pomembna varnostna navodila za akumulatorsko baterijo

1. Pred uporabo baterijskega vložka preberite vsa navodila in opozorilne oznake na (1) polnilniku akumulatorja, (2) akumulatorju in (3) izdelku, ki uporablja akumulator.
2. Ne razstavljajte ali spreminjajte akumulatorske baterije. S tem lahko povzročite požar, prekomerno vročino ali eksplozijo.
3. Če se je čas delovanja občutno skrajšal, takoj prenehajte uporabljati orodje. V nasprotnem primeru lahko pride do pregretja, morebitnih opeklin in celo eksplozije.
4. Če pride do elektrolit v stik z očmi, jih sperite s čisto vodo in takoj poiščite zdravniško pomoč. Posledica je lahko izguba vida.
5. Ne povzročite kratkega stika baterijskega vložka:
 - (1) Ne dotikajte se priključkov s kakršnim koli prevodnim materialom.
 - (2) Izogibajte se shranjevanju baterijskega vložka v vsebniku z drugimi kovinskimi predmeti kot so želblji, kovanci itn.
 - (3) Ne izpostavljajte baterijskega vložka vodi ali dežju.

Kratek stik akumulatorja lahko povzroči velik električni tok, pregrevanje, morebitne opeklina in celo okvaro.

6. Ne shranjujte in uporabljajte orodja in akumulatorske baterije na mestih, kjer lahko temperatura doseže ali preseže 50 °C (122 °F).
7. Ne sezílgajte baterijskega vložka, tudi če je hudo poškodovan ali v celoti izpraznjen. Baterijski vložek lahko v ognju eksplodira.
8. Ne pribijajte, režite, drobite, mečite, spuščajte akumulatorske baterije oziroma ne udarjajte z akumulatorsko baterijo po trdem predmetu. Takšno ravnanje lahko povzroči požar, prekomerno vročino ali eksplozijo.
9. Ne uporabljajte poškodovanih akumulatorjev.
10. Priložene litij-ionske baterije ustrezajo zahtevam zakonodaje v zvezi z nevarnim blagom. Za komercialne prevoze, npr. tiste, ki jih opravljajo tretje stranke in carinski posredniki, je treba upoštevati posebne zahteve v zvezi z embalažo in označevanjem. Med postopkom priprave na odpremo izdelka se je treba posvetovati s strokovnjakom za nevarne snovi. Pri tem upoštevajte tudi podrobnejše nacionalne predpise.
Odprte stike oblepite z lepilnim trakom ali jih drugače zaščitite, baterijo pa zapakirajte tako, da se v embalaži ne more premikati.
11. Ko odstranjujete akumulatorsko baterijo, jo vzemite iz orodja in varno zavržite. Upoštevajte lokalne uredbe glede odlaganja baterije.
12. Baterije uporabljajte le z izdelki, ki jih določi Makita. Če namestite baterije v neskladno izdelke, lahko pride do požara, pregrevanja, eksplozije ali puščanja elektrolita.
13. Če orodja dlje časa ne uporabljate, morate iz njega odstraniti baterijo.
14. Med uporabo in po uporabi lahko akumulatorska baterija postane vroča in povzroči opeklina. Z vročimi akumulatorskimi baterijami ravnajte pazljivo.
15. Ne dotikajte se priključka orodja takoj po uporabi, ker se lahko dovolj segreje, da povzroči opeklina.
16. Ne dovolite, da bi se v priključke, odprtine in utore akumulatorske baterije zlepilli ostružki, prah ali zemlja. To lahko povzroči pregrevanje, požar, razpočenje in okvaro orodja ali akumulatorske baterije ter privede do opeklin ali drugih telesnih poškodb.
17. Razen če orodje podpira uporabo v bližini visokonapetostnih električnih vodov, akumulatorske baterije ne uporabljajte v bližini visokonapetostnih električnih vodov. Takšna uporaba lahko povzroči motnje v delovanju ali okvaro orodja oziroma akumulatorske baterije.
18. Baterijo hranite izven dosega otrok.

SHRANITE TA NAVODILA.

⚠ POZOR: Uporabljajte le originalne baterije Makita. Če uporabljate neoriginalne baterije Makita ali baterije, ki so bile spremenjene, lahko pride do eksplozije baterije in posledično do požara, telesnih poškodb ali materialne škode. S takšno uporabo boste tudi razveljavili garancijo Makita za orodje in polnilnik Makita.

Nasveti za ohranjanje največje zmogljivosti akumulatorja

1. Napolnite baterijski vložek, preden se v celoti izprazni. Ko opazite, da ima orodje manjšo moč, vedno ustavite delovanje orodja in napolnite baterijski vložek.
2. Nikoli znova ne polnite popolnoma napolnjenega baterijskega vložka. Prenapolnjenje skrajša življenjsko dobo akumulatorja.
3. Baterijski vložek s sobno temperaturo polnite pri temperaturi okolja od 10 °C do 40 °C. Počakajte, da se vroč baterijski vložek pred polnjenjem ohladi.
4. Ko akumulatorske baterije ne uporabljate, jo odstranite iz orodja ali polnilnika.
5. Če baterijskega vložka ne uporabljate dalj časa (več kot 6 mesecev), ga napolnite.

OPIS DELOVANJA

⚠ POZOR: Pred nastavljanjem ali preizkusom delovanja orodja se prepričajte, ali je orodje izključeno in ali je akumulatorska baterija odstranjena.

Nameščanje ali odstranjevanje akumulatorske baterije

⚠ POZOR: Vedno izklopite orodje, preden namestite ali odstranite akumulatorsko baterijo.

⚠ POZOR: Kadar nameščate ali odstranjujete akumulatorsko baterijo, trdno držite orodje in akumulatorsko baterijo. Če orodja in akumulatorske baterije ne držite trdno, se lahko zgodi, da vam zdrsneta iz rok, posledica pa je lahko poškodba orodja in akumulatorske baterije ter telesna poškodba.

► **SI.1:** 1. Rdeči indikator 2. Gumb 3. Baterijski vložek

Če želite odstraniti akumulatorsko baterijo, jo potisnite iz orodja, pri tem pa pomikajte gumb na sprednji strani vložka.

Akumulatorsko baterijo vstavite tako, da poravnate jeziček na bateriji z utorom na ohišju in jo potisnete v ležišče. Potisnite jo do konca, da se zaskoči. Če vidite rdeči indikator, kot je prikazano na sliki, se akumulatorska baterija ni ustrezno zaskočila.

⚠ POZOR: Vedno namestite akumulatorsko baterijo tako, da rdeči indikator ni več viden. Če tega ne upoštevate, lahko baterija nepričakovano pade iz orodja in poškoduje vas ali osebe v neposredni bližini.

⚠ POZOR: Ne nameščajte akumulatorske baterije s silo. Če se akumulatorska baterija ne zaskoči zlahka, ni pravilno vstavljena.

Prikazuje preostalo raven napolnjenosti akumulatorja

Samo za akumulatorske baterije z indikatorjem

► **Sl.2:** 1. Indikatorne lučke 2. Gumb za preverjanje

Pritisnite gumb za preverjanje na baterijskem vzloku, da preverite raven napolnjenosti akumulatorja. Indikatorne lučke na kratko zasvetijo.

Indikatorne lučke			Prikaz preostale ravni napolnjenosti
Sveti	Ne sveti	Utripa	
■	□	▬	od 75 % do 100 %
■	■	□	od 50 % do 75 %
■	■	□	od 25 % do 50 %
■	□	□	od 0 % do 25 %
▬	□	□	Napolnite akumulator.
■	■	□	Akumulator je morda okvarjen.
□	□	■	

OPOMBA: Odvisno od pogojev uporabe in okoljske temperature se označba lahko nekoliko razlikuje od dejanske napolnjenosti.

OPOMBA: Prva opozorilna lučka (skrajno levo) bo utripala, ko sistem za zaščito akumulatorja deluje.

Zaščitni sistem orodja/akumulatorja

Orodje je opremljeno z zaščitnim sistemom za orodje/akumulator. Sistem samodejno prekine napajanje, da podaljša življenjsko dobo orodja in akumulatorja. Orodje se samodejno zaustavi med delovanjem, če orodje ali akumulator delujeta pod naslednjimi pogoji:

Zaščita pred preobremenitvijo

Ta zaščita deluje, kadar orodje uporabljate na način, ki povzroča neobičajno visoko porabo toka. V tem primeru izklopite orodje in prekinite delo, ki je povzročilo preobremenitev orodja. Nato vklopite orodje, da ga znova zaženete.

Zaščita pred pregrevanjem

Ta zaščita deluje, kadar sta orodje ali akumulator pregreta. V tem primeru počakajte, da se orodje in akumulator ohladita, preden znova vklopite orodje.

Zaščita pred izpraznjenjem

Ta zaščita deluje, ko se zmanjša zmogljivost baterije. V tem primeru odstranite akumulator iz orodja in ga napolnite.

Delovanje stikala

► **Sl.3:** 1. Sprožilno stikalo

⚠ POZOR: Preden vstavite akumulatorsko baterijo v orodje, se vedno prepričajte, da stikalo deluje brezhibno in se vrača v položaj za izklop (OFF), ko ga spustite.

Za zagon orodja povlecite sprožilno stikalo. Hitrost orodja se poveča za povečani tlak na sprožilnem stikalu. Za izklop spustite stikalo.

Stikalo za preklap smeri vrtenja

► **Sl.4:** 1. Ročica za preklap smeri vrtenja

⚠ POZOR: Pred obratovanjem vedno preverite smer vrtenja.

⚠ POZOR: Stikalo za spreminjanje smeri vrtenja uporabite šele, ko se stroj popolnoma ustavi. Če smer vrtenja spremenite, preden se stroj ustavi, se ta lahko poškoduje.

⚠ POZOR: Ko orodja ne uporabljate, vedno potisnite preklapno stikalo v nevtralen položaj.

To orodje je opremljeno s preklapnikom za spremembo smeri vrtenja. Ročico preklapnika smeri vrtenja pritisnite v smeri A za vrtenje v smeri urnega kazalca in v smeri B za vrtenje v obratni smeri urnega kazalca. Ko je preklapno stikalo v nevtralnem položaju, se glavnega stikala ne da premakniti.

Spreminjanje hitrosti

► **Sl.5:** 1. Ročica za spreminjanje hitrosti

⚠ POZOR: Ročico za spreminjanje hitrosti vedno potisnite do konca v pravilen položaj. Če vklopite orodje, medtem ko je ročica za spremembo hitrosti v vmesnem položaju med oznakama „1“ in „2“, lahko pride do okvare orodja.

⚠ POZOR: Ročice za spreminjanje hitrosti ne premikajte med delovanjem orodja. Orodje se lahko poškoduje.


Položaj ročice za spreminjanje hitrosti	Hitrost	Navor	Namenska uporaba
1	Nizka	Visoka	Uporaba pri težji obremenitvi
2	Visoka	Nizka	Uporaba pri lažji obremenitvi

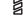
Če želite spremeniti hitrost, najprej izklopite orodje. Izberite „2“ za visoko hitrost ali „1“ za nizko hitrost, vendar z visokim navorom. Pred obratovanjem preverite, ali je ročica za spreminjanje hitrosti vrtenja nastavljena v pravilen položaj.

Če se hitrost orodja med delovanjem na stopnji „2“ izjemno zmanjša, premaknite ročico na „1“ in znova začnite z delom.

Nastavitev zateznega momenta

► **SI.6:** 1. Nastavitveni obroč 2. Stopnja 3. Puščica

Zatezni moment lahko z obračanjem nastavitvenega obroča nastavite na 17 stopenj. Poravnajte stopnje s puščico na ohišju orodja. Najmanjši zatezni moment je pri stopnji 1, največji pa pri oznaki .

Če je sklopka v položaju od 1 do 16, bo zdrsnila pri različnih stopnjah zateznega momenta. Pri oznaki  sklopka ne deluje.

Pred dejanskim začetkom dela privijte v vzorčni kos materiala vijak, da ugotovite, katera stopnja zateznega momenta je najustreznejša.

MONTAŽA

⚠ POZOR: Pred vsako izvedbo dela na orodju se prepričajte, da je le to izključeno in da je akumulatorska baterija odstranjena.

Vstavljanje in odstranjevanje vijačnih/vrtalnih nastavkov

► **SI.7:** 1. Zaporni obroč

Razprite čeljusti vpenjalne glave tako, da zaporni obroč zavrtite v nasprotni smeri urnega kazalca. Vstavite vijačni/vrtalni nastavek v vpenjalno glavo in ga potisnite do konca. Zategnite vpenjalno glavo tako, da zaporni obroč zavrtite v smeri urnega kazalca. Vijačni/vrtalni nastavek odstranite tako, obrnete zaporni obroč v nasprotni smeri urnega kazalca.

Nameščanje kavlja

Dodatna oprema

⚠ OPOZORILO: Dele za obešanje/pritrjevanje uporabljajte samo v skladu z njihovim predvidenim namenom, npr. tako, da orodje med opravi ali delovnimi postopki obesite na pas za orodje.

⚠ OPOZORILO: Pazite, da kavlja ne obremenite preveč, saj se lahko zaradi prevelike ali neenakomerne obremenitve poškoduje orodje in posledično pride do telesnih poškodb.

⚠ POZOR: Kavelj pri nameščanju vedno močno zategnite z vijakom. Če ga ne zategnete, se lahko kavelj sname z orodja in povzroči telesne poškodbe.

⚠ POZOR: Preden orodje izpustite, se prepričajte, da je pravilno obešeno. Če je obešeno površno ali neuravnoteženo, lahko pade na tla in vas poškoduje.

► **SI.8:** 1. Vdolbina 2. Kavelj 3. Vijak

Kavelj je priročen pripomoček za začasno obešanje stroja. Namestite ga lahko na katero koli stran stroja. Kavelj vstavite v utor na levi ali desni strani ohišja stroja in ga privijte z vijakom. Odstranite ga tako, da odvijete vijak in ga izvlačete.

Odprtina za uporabo

⚠ OPOZORILO: Odprtine za obešanje nikoli ne uporabljajte za druge namene, na primer za pritrjevanje orodja na visoko mesto. Velika obremenitev odprtine za obešanje lahko privede do poškodb odprtine, zaradi česar se lahko vi ali drugi okoli ali pod vami poškodujejo.

► **SI.9:** 1. Odprtina za obešanje

Odprtina za obešanje je na spodnjem zadnjem delu orodja in je namenjena za obešanje orodja na steno z vrvico za obešanje ali podobnimi nitmi.

UPRAVLJANJE

⚠ POZOR: Akumulatorsko baterijo vedno vstavite do konca, tako da se zaskoči. Če je na zgornji strani gumba viden rdeč indikator, pomeni, da baterija ni ustrezno zaskočena. Vstavite jo do konca, tako da rdečega indikatorja ni mogoče videti. V nasprotnem primeru se lahko akumulatorska baterija sname z orodja in poškoduje vas ali osebe v neposredni bližini.

⚠ POZOR: Če se hitrost močno zniža, zmanjšajte obremenitev ali ustavite orodje, da preprečite poškodbo orodja.

Orodje trdno držite z eno roko na ročaju in z drugo ob vznožju akumulatorske baterije, da lahko nadzorujete zvijanje.

► **SI.10**

Vijačenje


⚠ POZOR: Nastavitveni obroč nastavite na ustrezen zatezni moment.

⚠ POZOR: Pazite, da bo vijačni nastavek vstavljen naravnost v glavo vijaka. V nasprotnem primeru se vijak in/ali vijačni nastavek lahko poškodujeta.

Postavite konico vijačnega nastavka v glavo vijaka in pritisnite na orodje. Počasi zaženite orodje in nato postopno povečujte hitrost. Ko se vklopi zdrсна sklopka, spustite stikalo za vklop.

OPOMBA: Kadar privijate lesni vijak, najprej izvrtajte vodilno luknjo s premerom 2/3 vijaka. S tem boste olajšali vijačenje in preprečili razcep obdelovanca.

Vrtanje

Najprej zavrtite nastavitveni obroč tako, da bo puščica obrnjena proti oznaki . Nato nadaljujte, kot je opisano v nadaljevanju.

Vrtanje v les

Pri vrtanju v les dosežete najboljše rezultate z lesnimi svedri, ki so opremljeni s centrirno konico. Centrirna konica olajša vrtanje, saj pospeši prodiranje vrtalnega nastavka v les.

Vrtanje v kovino

Pri vrtanju v kovine uporabite točkalo, s katerim si označite točko vrtanja in tako preprečite zdrs vrtalnega nastavka ob začetku vrtanja. Postavite konico vrtalnega nastavka v vdolbino in začnite vrtati. Kadar vrtate v kovino, uporabite mazivo za rezanje. Pri vrtanju v železo in medenino mazivo ni potrebno.

⚠️ POZOR: Čezmerno pritiskanje na orodje ne bo pospešilo napredovanja nastavka med vrtanjem. Nasprotno, s čezmernim pritiskanjem se poškoduje konica vrtalnega nastavka, kar zmanjša učinkovitost delovanja ter skrajša življenjsko dobo orodja.

⚠️ POZOR: Trdno držite orodje in bodite previdni, ko začne vrtalni nastavek prebijati obdelovanca. Po prevrtanju materiala delujejo na orodje oz. vrtalni nastavek izjemno visoke sile.

⚠️ POZOR: Zagozdeni vrtalni nastavek lahko enostavno odstranite, tako da nastavite stikalo za spremembo smeri v položaj za vrtenje v obratno smer. Vseeno pa lahko orodje nenadoma sune nazaj, če ga ne držite trdno.

⚠️ POZOR: Obdelovance vedno vpnite v primež ali podobno napravo za držanje.

⚠️ POZOR: Če orodje neprekinjeno deluje, dokler se akumulatorska baterija ne izprazni, pustite orodje mirovati 15 minut in šele nato nadaljujte z novo baterijo.

VZDRŽEVANJE

⚠️ POZOR: Preden se lotite pregledovanja ali vzdrževanja orodja, se vedno prepričajte, da je orodje izklopljeno in akumulatorska baterija odstranjena.

OBVESTILO: Nikoli ne uporabljajte bencina, razredčila, alkohola ali podobnega sredstva. V tem primeru se lahko orodje razbarva ali deformira oziroma lahko nastanejo razpoke.

VARNO in ZANESLJIVO delovanje tega izdelka bo zagotovljeno le, če boste popravila, vzdrževanje in nastavitve ogleh krtačk ali druge nastavitve prepustili pooblaščenemu ali tovarniškemu servisnemu centru za orodja Makita, ki vgrajuje izključno originalne nadomestne dele.

DODATNA OPREMA

⚠️ POZOR: Ta dodatni pribor ali pripomočki so predvideni za uporabo z orodjem Makita, ki je opisano v teh navodilih za uporabo. Pri uporabi drugega pribora ali pripomočkov obstaja nevarnost telesnih poškodb. Dodatni pribor ali pripomočke uporabljajte samo za navedeni namen.

Za več informacij o dodatni opremi se obrnite na najbližji pooblaščen servis za orodja Makita.

- Vrtalni nastavki
- Vijalni nastavki
- Kavelj
- Originalna akumulator in polnilnik Makita
- Adapter za samodejno obnovo
- Plastičen kovček za prenašanje

OPOMBA: Nekateri predmeti na seznamu so lahko priloženi orodju kot standardna dodatna oprema. Lahko se razlikujejo od države do države.

SPECIFIKIMET

Modeli:		DDF343	DDF453
Kapacitetet e shpimit	Çelik	10 mm	13 mm
	Dru	25 mm	36 mm
Kapacitetet shtrënguese	Vidë druri	5,1 mm x 63 mm	6 mm x 75 mm
	Vidë makinerie	M6	
Shpejtësia pa ngarkesë	E lartë (2)	0 - 1 300 min ⁻¹	
	E ulët (1)	0 - 400 min ⁻¹	
Gjatësia totale		192 mm	214 mm
Tensioni nominal		D.C. 14,4 V	D.C. 18 V
Pesha neto		1,4 - 1,7 kg	1,7 - 2,0 kg

- Për shkak të programit tonë të vazhdueshëm të kërkim-zhvillimit, specifikimet që jepen këtu mund të ndryshojnë pa dhënë njoftim.
- Specifikimet mund të ndryshojnë nga njëri shtet në tjetrin.
- Pesha mund të ndryshojë në varësi të aksesorit (ëve), përfshirë kutinë e baterisë. Kombinimi më i lehtë dhe më i rëndë, sipas Procedurës EPTA 01/2014, tregohet në tabelë.

Kutia e aplikueshme e baterisë dhe karikuesi

Kutia e baterisë	Modeli D.C.14,4 V	BL1415N / BL1430B / BL1440 / BL1460B
	Modeli D.C.18 V	BL1815N / BL1820B / BL1830B / BL1840B / BL1850B / BL1860B
Karikuesi	DC18RC / DC18RD / DC18RE / DC18SD / DC18SE / DC18SF / DC18SH / DC18WC	

- Disa prej kutive të baterive dhe karikuesve të renditura më lart mund të mos jenë të disponueshme në varësi të zonës ku ju banoni.

PARALAJMËRIM: Përdorni vetëm kutitë e baterisë dhe karikuesit e listuar më lart. Përdorimi i karikuesve dhe kutive të tjera të baterisë mund të shkaktojë lëndim dhe/ose zjarr.

Përdorimi i synuar

Pajisja është synuar për shpim dhe vendosje të vidave në dru, metal dhe plastikë.

Zhurma

Niveli tipik i zhurmës A, i matur sipas EN62841-2-1:

Modeli DDF343

Niveli i presionit të zhurmës (L_{pA}): 70 dB (A) ose më pak
Pasiguria (K): 3 dB (A)

Niveli i zhurmës mund të tejkalojë 80 dB (A).

Modeli DDF453

Niveli i presionit të zhurmës (L_{pA}): 72 dB (A)
Pasiguria (K): 3 dB (A)

Niveli i zhurmës mund të tejkalojë 80 dB (A).

SHËNIM: Vlerat e deklaruar totale të emetimeve të zhurmës janë matur sipas një metode standarde testimi dhe mund të përdoren për të krahasuar një vegël me një tjetër.

SHËNIM: Vlerat e deklaruar të emetimeve të zhurmës mund të përdoren për një vlerësim paraprak të ekspozimit.

PARALAJMËRIM: Mbani mbrojtëse për veshët.

PARALAJMËRIM: Emetimet e zhurmës gjatë përdorimit aktual të veglës elektrike mund të ndryshojnë nga vlerat e deklaruar në varësi të mënyrave sesi përdoret vegla, veçanërisht nga lloji i materialit të punës që përdoret.

PARALAJMËRIM: Vërtetoni që masat e sigurisë për mbrojtjen e përdoruesit bazohen në vlerësimin e ekspozimit ndaj kushteve aktuale të përdorimit (duke marrë parasysh të gjitha pjesët e ciklit të funksionimit si ato kur pajisja është e fikur dhe punon pa prerë ashtu edhe kohën e përdorimit).

Dridhja

Vlera totale e dridhjeve (shuma e vektorit me tre akse) përcaktohet sipas EN62841-2-1:
Regjimi i punës: shpimi në metal
Emetimi i dridhjeve ($a_{h,D}$): 2,5 m/s² ose më pak
Pasiguria (K): 1,5 m/s²

SHËNIM: Vlerat e deklaruar totale të dridhjeve janë matur sipas një metode standarde testimi dhe mund të përdoren për të krahasuar një vegël me një tjetër.

SHËNIM: Vlerat e deklaruar totale të dridhjeve mund të përdoren për një vlerësim paraprak të ekspozimit.

▲PARALAJMËRIM: Emetimet e dridhjeve gjatë përdorimit aktual të veglës elektrike mund të ndryshojnë nga vlerat e deklaruara në varësi të mënyrave sesi përdoret vegla, veçanërisht nga lloji i materialit të punës që përdoret.

▲PARALAJMËRIM: Vërtetoni që masat e sigurisë për mbrojtjen e përdoruesit bazohen në vlerësimin e ekspozimit ndaj kushteve aktuale të përdorimit (duke marrë parasysh të gjitha pjesët e ciklit të funksionimit si ato kur pajisja është e fikur dhe punon pa prerë ashtu edhe kohën e përdorimit).

Deklarata e konformitetit me KE-në

Vetëm për shtetet evropiane

Deklarata e konformitetit me KE-në përfshihet si Shtojca A në këtë manual përdorimi.

PARALAJMËRIME SIGURIE

Paralajmërimet e përgjithshme për sigurinë e veglës

▲PARALAJMËRIM: Lexoni të gjitha paralajmërimet për sigurinë, udhëzimet, ilustrimet dhe specifikimet e dhëna me këtë vegël elektrike. Mosndjekja e të gjitha udhëzimeve të renditura më poshtë mund të shkaktojë goditje elektrike, zjarr dhe/ose lëndim të rëndë.

Ruajini të gjitha paralajmërimet dhe udhëzimet për të ardhmen.

Termi “vegël elektrike” në paralajmërimet i referohet veglës elektrike që përdoret e lidhur në prizë (me kordon) ose veglës së përdorur me bateri (pa kordon).

Paralajmërimet e sigurisë për trapanin me bateri

Udhëzimet e sigurisë për të gjitha veprimet

1. Mbajeni veglën elektrike të sipërfaqet kapëse të izoluar kur të jeni duke kryer një veprim në të cilin aksessori prerës ose shtrëngueset mund të prekin tela të fshehur. Nëse aksessori prerës ose shtrëngueset prekin një tel me rrymë, atëherë pjesët metalike të veglës elektrike elektrizohen dhe mund t'i shkaktojnë përdoruesit goditje elektrike.
2. Gjithmonë sigurohuni që të keni bazament të fortë qëndrimi. Sigurohuni që të mos ketë njeri poshtë ndërkohë që e përdorni pajisjen në vende të larta.
3. Mbajeni veglën fort.
4. Mbajini duart larg pjesëve rrotulluese.
5. Mos e lini veglën të ndezur. Përdorini veglën vetëm duke e mbajtur në dorë.

6. Mos prekni majën e puntos, materialin e punës ose cifat menjëherë pas punës; mund të jenë shumë të nxehtë dhe mund t'ju djegin lëkurën.
7. Disa materiale përbajnë kimikate që mund të jenë toksike. Kini kujdes që të parandaloni thithjen e pluhurave dhe kontaktin me lëkurën. Ndiqni të dhënat e sigurisë nga furnizuesi i materialit.
8. Nëse maja e puntos nuk mund të lirohet edhe nëse lironi nofullat, përdorni pincë për ta tërhequr. Në rast të tillë, nxjerrja e majës së puntos me dorë mund të rezultojë në lëndim nga ana e saj e mprehtë.
9. Sigurohuni që të mos ketë kablo elektrike, tuba uji, tuba gazi etj. që mund të shkaktojnë rrezik nëse dëmtohen nga përdorimi i veglës.

Udhëzimet e sigurisë kur përdorni maja puntosh të gjata

1. Asnjëherë mos e përdorni me shpejtësi më të lartë se shpejtësia maksimale nominale e majës së puntos. Në shpejtësi më të larta, maja mund të shtrembërohet nëse lejohet të rrotullohet lirshëm pa kontaktuar me materialin e punës, gjë që rezulton në lëndim personal.
2. Gjithmonë shpini me shpejtësi të ulëta dhe me majën e puntos në kontakt me materialin e punës. Në shpejtësi më të larta, maja mund të shtrembërohet nëse lejohet të rrotullohet lirshëm pa kontaktuar me materialin e punës, gjë që rezulton në lëndim personal.
3. Aplikoni presion vetëm në vijë direkte me majën dhe mos aplikoni presion të tepërt. Majat mund të shtrembërohen duke shkaktuar thyerje ose humbje të kontrollit, duke rezultuar në lëndim personal.

RUAJINI KËTO UDHËZIME.

▲PARALAJMËRIM: MOS lejoni që njohja ose familjarizimi me produktin (të fituara nga përdorimi i shpeshtë) të zëvendësojnë zbatimin me përpikëri të rregullave të sigurisë për produktin në fjalë. KEQPËRDORIMI ose mosndjekja e rregullave të sigurisë të dhëna në këtë manual përdorimi mund të shkaktojë dëmtime të rënda personale.

Udhëzime të rëndësishme rreth sigurisë për kutinë e baterisë

1. Përpara se ta përdorni kutinë e baterisë, lexoni të gjitha udhëzimet dhe shënimet e masave parandaluese të (1) ngarkuesi i baterisë, (2) bateria dhe (3) produkti që përdor baterinë.
2. Mos e qmtoni ose dëmtoni kutinë e baterisë. Kjo mund të shkaktojë zjarr, nxehtësi të lartë ose shpërthim.
3. Nëse koha e përdorimit është shkurtuar jashtë mase, ndalojeni punën menjëherë. Kjo mund të rezultojë në rrezik mbinxehjeje, djegie të mundshme, madje edhe shpërthim.
4. Nëse ju futen elektrolitit në sy, shpëllajini sytë me ujë të pastër dhe kërkoni ndihmë mjekësore menjëherë. Kjo gjë mund të rezultojë në humbje të shikimit.

5. **Mos bëni lidhje të shkurtër me kutinë e baterisë:**

- (1) **Mos i prekni terminalet me materiale përcjellëse.**
- (2) **Shmangni ruajtjen e kutisë së baterisë në një kuti me objekte të tjera metalike, si gozhdë, monedha etj.**
- (3) **Mos e ekspozoni kutinë e baterisë në ujë ose shi.**

Qarku i shkurtër i baterisë mund të shkaktojë qarkullim të madh të rrymës elektrike, mbinxehje, djegie të mundshme dhe madje prishje.

6. **Mos e ruani dhe mos e përdorni pajisjen dhe kutinë e baterisë në vende ku temperatura mund të arrijë ose tejkalojë 50 °C (122 °F).**
7. **Mos e digjini kutinë e baterisë, edhe nëse është shumë e dëmtuar ose është konsumuar plotësisht. Kutia e baterisë mund të shpërthejë në zjarr.**
8. **Mos e shponi, pritni, shtypni, hidhni apo rrezonit kutinë e baterisë apo ta goditni kutinë e baterisë me një objekt të fortë. Një sjellje e tillë mund të shkaktojë zjarr, nxehësi të lartë ose shpërthim.**
9. **Mos përdorni bateri të dëmtuar.**
10. **Bateritë e përfshira të litiumit, u nënshtrohen kërkesave të legjislacionit për mallrat e rrezikshme.**

Për transport tregtar p.sh. nga palë të treta, agjentë të ndërmjetëm, duhet të ndiqen kërkesa specifike mbi paketimin dhe etiketimin. Për përgatitjen e artikullit për transport, është i nevojshëm konsultimi i një eksperti për materiale të rrezikshme. Ju lutemi, ndiqni gjithashtu rregulloret me gjasë më të detajuara vendore. Mbuloni me ngjithëse ose maskoni kontaktet e zhveshura dhe paketojeni baterinë në mënyrë të tillë që të mos lëvizë në paketim.

11. **Kur hidhni kutinë e baterisë, hiqeni nga vegla dhe hidhni në një vend të sigurt. Zbatoni rregulloret lokale rreth hedhjes së baterisë.**
12. **Përdorini bateritë vetëm me produktet e specifikuar nga Makita. Instalimi i baterive në produkte të papajtueshme mund të rezultojë në zjarr, nxehësi të lartë, shpërthim ose rrjedhje të elektroliteve.**
13. **Nëse vegla nuk përdoret për një periudhë të gjatë kohe, bateria duhet të hiqet nga vegla.**
14. **Gjatë dhe pas përdorimit, kutia e baterisë mund të nxehet, gjë që mund të shkaktojë djegie ose djegie në temperaturë të ulët. Tregoni kujdes gjatë manovrimit të kutive të nxeha të baterive.**
15. **Mos prekni terminalin e veglës menjëherë pas përdorimit pasi mund të nxehet aq shumë sa të shkaktojë djegie.**
16. **Mos lejoni që grumbullimin e ashklave, pluhurave ose papastërtive në terminalet, vrimat ose kanalet e kutisë së baterisë. Mund të shkaktojë ngrohje, marrje flakë, plasje dhe avari të veglës ose të kutisë së baterisë, duke rezultuar në djegie ose lëndime personale.**
17. **Përveç kur vegla e mbështet përdorimin pranë linjave elektrike me voltazh të lartë, mos e përdorni kutinë e baterisë pranë linjave elektrike me voltazh të lartë. Kjo mund të shkaktojë një defekt ose dëmtim të veglës ose të kutisë së baterisë.**
18. **Mbajeni baterinë larg fëmijëve.**

RUAJINI KËTO UDHËZIME.

▲KUUJDES: Përdorni vetëm bateri origjinale Makita. Përdorimi i baterive jo-origjinale Makita ose baterive që mund të jenë modifikuar, mund të rezultojë në marrjen flakë të baterisë, lëndime personale apo dëmtime. Kjo do të anulohë gjithashtu edhe garancinë e Makita-s për veglën e Makita-s dhe ngarkuesin.

Këshilla për të ruajtur jetëgjatësinë maksimale të baterisë

1. **Ngarkojeni baterinë përpara se të shkarkohet plotësisht. Gjithmonë ndaloni punën me pajisjen dhe ngarkoni baterinë kur vëreni ulje të fuqisë së pajisjes.**
2. **Asnjëherë mos e ringarkoni baterinë e ngarkuar plotësisht. Mbingarkimi shkurtor jetëgjatësinë e shërbimit të baterisë.**
3. **Ngarkojeni baterinë në temperaturën e dhomës në 10 °C - 40 °C. Lërimi i kutisë e nxehët të baterisë të ftohet përpara se ta ngarkoni atë.**
4. **Kur nuk e përdorni kutinë e baterisë, hiqeni atë nga vegla ose karikuesi.**
5. **Ngarkojeni baterinë nëse nuk e përdorni për një kohë të gjatë (mbi gjashtë muaj).**

PËRSHKRIMI I PUNËS

▲KUUJDES: Sigurohuni gjithmonë që vegla të jetë e fikur dhe kutia e baterisë të jetë hequr përpara se ta rregulloni apo t'i kontrolloni funksionet e veglës.

Instalimi ose heqja e kutisë së baterisë

▲KUUJDES: Fikeni gjithmonë veglën përpara se të instaloni ose hiqni kutinë e baterisë.

▲KUUJDES: Mbajeni fort veglën dhe kutinë e baterisë kur montoni ose hiqni kutinë e baterisë. Mosmbajta fort e veglës dhe e kutisë së baterisë mund të bëjë që t'ju rrëshqasin nga duart dhe të shkaktojë dëmtim të veglës dhe të kutisë së baterisë, si dhe lëndim personal.

► Fig.1: 1. Treguesi i kuq 2. Butoni 3. Kutia e baterisë

Për të hequr kutinë e baterisë, rrëshqiteni atë nga vegla ndërsa rrëshqisni butonin në pjesën e përparme të kutisë së baterisë.

Për të vendosur kutinë e baterisë, bashkërendisni gjuhëzën e kutisë së baterisë me kanalin e folesë dhe rrëshqiteni për ta futur. Futeni deri në fund, derisa të kërçasë dhe të bllokohet në vend. Nëse shikoni treguesin e kuq siç tregohet në figurë, nuk është e bllokuar plotësisht.

▲KUUJDES: Vendoseni gjithnjë plotësisht kutinë e baterisë derisa treguesi i kuq të mos duket. Në të kundërt, ajo mund të bjerë aksidentalisht nga vegla duke ju lënduar juve ose personin pranë jush.

▲KUUJDES: Mos e vendosni me forcë kutinë e baterisë. Nëse kutia nuk hyn lehtë, nuk po e futni siç duhet.

Treguesi i kapacitetit të mbetur të baterive

Vetëm për kuti baterie me llambë

► **Fig.2:** 1. Llambat treguese 2. Butoni i kontrollit
Shtypni butonin e kontrollit në kutinë e baterisë për të treguar kapacitetin e mbetur të baterisë. Llambat treguese ndizen për pak sekonda.

Llambat treguese			Kapaciteti i mbetur
Ndezur	Fikur	Duke pulsuar	
■	□	▣	75% deri 100%
■ ■ ■ ■			
■ ■ ■ □			
■ ■ □ □			
■ □ □ □			50% deri 75%
■ □ □ □	□ □ □ □		25% deri 50%
■ □ □ □	□ □ □ □		0% deri 25%
▣ □ □ □	□ □ □ □		Ngarkojeni baterinë.
■ ■ □ □	□ □ □ □		Llambushka mund të ketë keqfunksionuar.
□ □ ■ ■	□ □ □ □	↑ ↓	

SHËNIM: Në varësi të kushteve të përdorimit dhe të temperaturës së ambientit, treguesi mund të ndryshojë paksa nga kapaciteti aktual.

SHËNIM: Llamba e parë e treguesit (në fund majtas) do të pulsojë kur sistemi i mbrojtjes së baterisë është në punë.

Sistemi i mbrojtjes së veglës/ baterisë

Vegla është e pajisur me një sistem të mbrojtjes së veglës/baterisë. Ky sistem ndërpret automatikisht energjinë për të zgjatur jetëgjatësinë e veglës dhe baterisë. Vegla do të ndalojë automatikisht gjatë punës nëse vegla ose bateria janë vendosur sipas një prej kushteve të mëposhtme:

Mbrojtja nga mbingarkesa

Kjo mbrojtje funksionon kur vegla përdoret në një mënyrë që e bën atë të marrë rrymë të lartë anormale. Në këtë situatë, fikeni veglën dhe ndaloni punën që shkaktoi mbingarkesën e veglës. Pastaj ndizeni veglën për ta rinisur.

Mbrojtja ndaj mbinxehjes

Kjo mbrojtje funksionon kur vegla ose bateria mbinxehen. Në këtë situatë, lëreni veglën dhe baterinë të ftohen përpara se ta ndizeni veglën sërish.

Mbrojtja nga mbishkarkimi

Kjo mbrojtje funksionon kur ulet kapaciteti i mbetur i baterisë. Në këtë situatë, hiqeni baterinë nga vegla dhe karikojeni.

Veprimi i ndërrimit

► **Fig.3:** 1. Çelësi

▲KUJDES: Përpara se ta vendosni kutinë e baterisë në vegël, kontrolloni gjithmonë nëse çelësi është në pozicionin e duhur dhe nëse kthehet në pozicionin "OFF" (fikur) kur lëshohet.

Për ta ndezur veglën, thjesht tërhiqni këmbëzën e çelësit. Shpejtësia e veglës rritet me rritjen e trysnisë në këmbëzën e çelësit. Lëshoni këmbëzën e çelësit për ta fikur.

Çelësi i ndryshimit të veprimit

► **Fig.4:** 1. Leva e ndryshimit të veprimit

▲KUJDES: Kontrolloni gjithmonë drejtimin e rrotullimit përpara përdorimit.

▲KUJDES: Përdorni çelësin e ndryshimit vetëm pasi vegla të ndalojë plotësisht. Ndryshimi i drejtimit të rrotullimit përpara se të ndalojë vegla mund të dëmtojë veglën.

▲KUJDES: Kur nuk e përdorni veglën, vendoseni gjithmonë levën e çelësit të ndryshimit në pozicionin neutral.

Vegla ka një çelës ndryshimi për të ndryshuar drejtimin e rrotullimit. Shtypni levën e çelësit të ndryshimit nga ana A për rrotullimin në drejtimin orar ose nga ana B për rrotullimin në drejtimin kundërorar. Kur leva e çelësit të ndryshimit është në pozicionin neutral, çelësi nuk mund të tërhiqet.

Ndryshimi i shpejtësisë

► **Fig.5:** 1. Leva e ndryshimit të shpejtësisë

▲KUJDES: Vendosni gjithmonë leva për ndryshimin e shpejtësisë në pozicionin e duhur. Nëse përdorni veglën duke vendosur levën e ndryshimit të shpejtësisë midis anës "1" dhe "2", vegla mund të dëmtohet.



▲KUJDES: Mos e përdorni levën e ndryshimit të shpejtësisë ndërsa është duke punuar. Vegla mund të dëmtohet.

Pozicioni i levës së ndryshimit të shpejtësisë	Shpejtësia	Forca e shtrëngimit	Përdorimi i aplikueshëm
1	E ulët	E lartë	Përdorimi me ngarkesë të rëndë
2	E lartë	E ulët	Përdorimi me ngarkesë të lehtë

Për të ndryshuar shpejtësinë, në fillim fikni veglën. Përzgjidhni anën "2" për shpejtësi të lartë dhe "1" për shpejtësi të ulët por forcë të lartë. Përpara përdorimit, sigurohuni që leva e ndryshimit të shpejtësisë të jetë vendosur në pozicionin e duhur. Nëse shpejtësia e veglës ulet shumë gjatë përdorimit me "2", rrëshqitni levën në pozicionin "1" dhe rifilloni përdorimin.

Rregullimi i rrotullimit shtrëngues

► **Fig.6:** 1. Unaza e rregullimit 2. Gradimi 3. Shigjeta

Rrotullimi shtrëngues mund të rregullohet në 17 nivele duke rrotulluar unazën e rregullimit. Bashkërenditni gradimet me shigjetën në trupin e veglës. Mund të përftoni rrotullimin shtrëngues minimal në 1 dhe rrotullimin shtrëngues maksimal në shenjën . Frikcioni do të rrëshqasë në nivele të ndryshme shtrëngimi kur caktohet në numrat 1 deri në 16. Frikcioni nuk funksionon në shenjën . Përpara se të filloni punë fusni një vidë për provë në materialin tuaj të punës ose në një material identik me të për të përcaktuar se cili nivel rrotullimi kërkohet për një aplikim të caktuar.

MONTIMI

▲KUJDES: Sigurohuni gjithmonë që vegla të jetë e fikur dhe kutia e baterisë të jetë hequr përpara se të kryeni ndonjë punë në vegël.

Instalimi ose heqja e majës së kaçavidës / majës së puntos

► **Fig.7:** 1. Bokulla

Ktheni bokullën në drejtimin kundërorar për të hapur nofullat e mandrinës. Vendosni majën e kaçavidës / majën e puntos në mandrinë deri në fund. Kthejeni bokullën në drejtim orar për të shtrënguar mandrinën. Për ta hequr majën e kaçavidës / majën e puntos, kthejeni bokullën në drejtim kundërorar.

Vendosja e grepit

Aksesorë opsionalë

▲PARALAJMËRIM: Përdorni pjesët e varjes/montimit vetëm për qëllimet e tyre të synuara, p.sh. duke e varur veglën në një brez veglash mes punëve apo intervaleve të punës.

▲PARALAJMËRIM: Bëni kujdes të mos e mbingarkoni çengelini pasi forca e tepruar ose mbingarkesa e çrregullt mund të shkaktojë dëmtime në vegël duke sjellë lëndim personal.

▲KUJDES: Kur instaloni grepin, gjithmonë sigurojeni atë fort me vidën. Ndryshe, grepi mund të bjerë nga vegla dhe mund të rezultojë në lëndime personale.

▲KUJDES: Sigurohuni ta varni veglën në mënyrë të sigurt para se ta lëshoni së mbajtura. Varja e pamjaftueshme ose e pabalancuar mund të shkaktojë rënien dhe mund të lëndoheni.

► **Fig.8:** 1. Ulluku 2. Grepit 3. Vida

Grepit shërben për ta varur veglën përkohësisht. Grepit mund të montohet në cilëndo anë të veglës. Për të instaluar grepin, futeni në një kanal në folenë e veglës në njërin anë dhe më pas sigurojeni atë me një vidë. Për ta hequr, lirojeni vidën dhe më pas nxirreni.

Përdorimi i vrimës

▲PARALAJMËRIM: Mos e përdorni kurrë vrimën e varjes për qëllime të pasyruara, për shembull, për lidhjen e veglës në lartësi. Tensioni i mbajtjes në vrimë me ngarkesë të rëndë mund ta dëmtojë vrimën, duke sjellë lëndimin tuaj ose të personave rreth apo poshtë jush.

► **Fig.9:** 1. Vrima e varjes

Përdorni vrimën e varjes në pjesën e fundit të veglës për ta varur veglën në mur duke përdorur telin e varjes apo të tjerë të ngjashëm.

PËRDORIMI

▲KUJDES: Futeni gjithmonë deri në fund kutinë e baterisë derisa të bllokohet në vend. Nëse shikoni treguesin e kuq në anën e sipërme të butonit, ajo nuk është e bllokuar plotësisht. Futeni plotësisht derisa treguesi i kuq të mos shihet. Në të kundërt, ajo mund të bjerë aksidentalisht nga vegla duke ju lënduar juve ose personin pranë jush.

▲KUJDES: Kur shpejtësia ulet shumë, ulni ngarkesën ose ndaloni veglën për të shmangur dëmtimin e saj.

Mbajeni veglën fort me njërin dorë të doreza dhe me dorën tjetër në pjesën e poshtme të kutisë së baterisë për të kontrolluar veprimin e përdredhjes.

► **Fig.10**

Funksionimi i vidhosjes


▲KUJDES: Rregulloni unazën rregulluese në nivelin e duhur të rrotullimit për punën tuaj.

▲KUJDES: Sigurohuni që puntosja futet drejt në kokën e vidës ose vida dhe/ose maja e kaçavidës mund të dëmtohet.

Vendosni majën e puntos së vidhosjes në kokën e vidës dhe ushtroni presion në vegël. Ndizni veglën ngadalë dhe më pas rrisni gradualisht shpejtësinë. Lëshoni çelësin sapo shtrëngimi të aktivizohet.

SHËNIM: Kur vidhosni vida druri, shpini paraprakisht një vrimë pilot me diametër sa 2/3 e diametrit të vidës. Kjo e bën vidhosjen më të lehtë dhe parandalon çarjen e materialit të punës.

Funksionimi i shpimit

Së pari ktheni unazën e rregullimit në mënyrë që shigjeta në trupin e veglës të tregojë drejt shenjës . Më pas procedoni si më poshtë.

Shpimi në dru

Gjatë shpimit në dru arrihen rezultate më të mira me përdorimin e puntove për dru me vidë udhëzuese. Vida udhëzuese lehtëson shpimin sepse tërheq majën e puntos në objekt.

Shpimi në metal

Për të parandaluar daljen e majës së puntos kur bëni një vrimë, bëni një shenjë me bulino dhe çekiç në vendin ku do të shpohet. Pastaj në vendin e shënuar vendosni majën e puntos dhe filloni shpimin. Gjatë shpimit të metalit përdorni lubrifikuesin për prerje. Përjashtim bën shpimi i hekurit dhe bronzit që duhet të shpohen në të thatë.

▲KUJDES: Shtypja e tepërt e veglës nuk do të shpejtojë shpimin. Në fakt, shtypja e madhe do të dëmtojë majën e puntos, zvogëlon efikasitetin e veglës dhe shkurton afatin e përdorimit të veglës.

▲KUJDES: Mbajeni veglën fort dhe bëni kujdes kur maja e puntos fillon të depërtojë përmes objektit që po punohet. Gjatë depërtimit të puntos në anën e kundërt të objektit mbi vegël/majën e puntos ushtrohet një forcë e madhe shpuese.

▲KUJDES: Maja e puntos e ngecur mund të hiqet thjesht duke vendosur çelësin e ndryshimit në rrotullimin e anasjelltë për ta nxjerrë puntos. Megjithatë, vegla mund të dalë papritmas nëse nuk e mbani fort.

▲KUJDES: Siguroni gjithmonë materialet e punës në morsë ose pajisje të ngjashme për shtrëngim.

▲KUJDES: Nëse vegla përdoret në mënyrë të vazhdueshme derisa bateria të shkarkohet, mos e përdorni veglën për 15 minuta derisa të vazhdoni me një bateri të re.

MIRËMBAJTJA

▲KUJDES: Sigurohuni gjithmonë që vegla të jetë fikur dhe të jetë hequr nga bateria përpara se të kryeni inspektimin apo mirëmbajtjen.

VINI RE: Mos përdorni kurrë benzinë, benzinë pastrimi, hollues, alkool dhe të ngjashme. Mund të shkaktoni çngjyrosje, deformime ose krisje.

Për të ruajtur SIGURINË dhe BESUESHMËRINË, riparimet, inspektimet dhe zëvendësimet e karbonçinave dhe çdo mirëmbajtje apo rregullim tjetër duhen kryer nga qendrat e shërbimit të Makita-s të autorizuar nga fabrika, duke përdorur gjithnjë pjesë këmbimi të Makita-s.

AKSESORË OPSIONALË

▲KUJDES: Këta aksesorë ose shtojca rekomandohen për përdorim me veglën Makita të përcaktuar në këtë manual. Përdorimi i aksesorëve apo shtojcave të tjera ndryshe nga këto mund të përbëjë rrezik lëndimi. Aksesorët ose shtojcat përdorini vetëm për qëllimin e tyre të përcaktuar.

Nëse keni nevojë për më shumë të dhëna në lidhje me aksesorët, pyesni qendrën vendore të shërbimit të Makita-s.

- Majat e puntove
- Majat e kaçavidës
- Grepji
- Bateri dhe ngarkues origjinal Makita
- Përshtatës që rifreskohet automatikisht
- Kutia mbajtëse plastike

SHËNIM: Disa artikuj të listës mund të përfshihen në paketën e veglës si aksesorë standardë. Ato mund të ndryshojnë nga njëri shtet në tjetrin.

СПЕЦИФИКАЦИИ

Модел:		DDF343	DDF453
Работен капацитет при пробиване	Стомана	10 мм	13 мм
	Дърво	25 мм	36 мм
Работен капацитет при затягане	Винт за дърво	5,1 мм x 63 мм	6 мм x 75 мм
	Машинен винт	M6	
Скорост без товар	Висока (2)	0 – 1 300 мин ⁻¹	
	Ниска (1)	0 – 400 мин ⁻¹	
Обща дължина		192 мм	214 мм
Номинално напрежение		Постоянно напрежение 14,4 V	Постоянно напрежение 18 V
Тегло нето		1,4 – 1,7 кг	1,7 – 2,0 кг

- Поради нашата непрекъсната научно-развойна дейност посочените тук спецификации могат да бъдат променени без предизвестие.
- Спецификациите може да са различни в различните държави.
- Теглото може да се различава в зависимост от принадлежността(ите), включително акумулаторната батерия. Най-леката и най-тежката комбинация в съответствие с процедурата на ЕРТА 01/2014 са показани в таблицата.

Приложима акумулаторна батерия и зарядно устройство

Акумулаторна батерия	Модел за постоянно напрежение 14,4 V	BL 1415N / BL 1430B / BL 1440 / BL 1460B
	Модел за постоянно напрежение 18 V	BL 1815N / BL 1820B / BL 1830B / BL 1840B / BL 1850B / BL 1860B
Зарядно устройство		DC 18RC / DC 18RD / DC 18RE / DC 18SD / DC 18SE / DC 18SF / DC 18SH / DC 18WC

- Някои от акумулаторните батерии и зарядните устройства, посочени по-горе, може да не са налични в зависимост от региона на местоживеене.

▲ ПРЕДУПРЕЖДЕНИЕ: Използвайте само посочените по-горе акумулаторни батерии и зарядни устройства. Използването на други акумулаторни батерии и зарядни устройства може да причини нараняване и/или пожар.

Предназначение

Инструментът е предназначен за пробиване и завиване на винтове в дърво, метал и пластмаса.

Шум

Обичайното ниво на шума с тегловен коефициент A, определено съгласно EN62841-2-1:

Модел DDF343

Ниво на звуково налягане (L_{pA}): 70 dB(A) или по-малко

Коефициент на неопределеност (K): 3 dB(A)

При работа нивото на шума може да превиши 80 dB (A).

Модел DDF453

Ниво на звуково налягане (L_{pA}): 72 dB(A)

Коефициент на неопределеност (K): 3 dB(A)

При работа нивото на шума може да превиши 80 dB (A).

ЗАБЕЛЕЖКА: Обявената(ите) стойност(и) на шумовите емисии е(са) измерена(и) в съответствие със стандартни методи за изпитване и може да се използва(т) за сравняване на инструменти.

ЗАБЕЛЕЖКА: Обявеното(ите) стойност(и) на шумови емисии може да се използва(т) също и за предварителна оценка на вредното въздействие.

▲ ПРЕДУПРЕЖДЕНИЕ: Използвайте предпазни средства за слуха.

▲ ПРЕДУПРЕЖДЕНИЕ: Нивото на шума при работа с електрическия инструмент може да се различава от обявената(ите) стойност(и) в зависимост от начина на използване на инструмента, по-специално както детайл се обработва.

▲ ПРЕДУПРЕЖДЕНИЕ: Задължително определете предпазни мерки за защита на оператора въз основа на оценка на риска в реални работни условия (като се вземат предвид всички етапи на работния цикъл, като например момента на изключване на инструмента, работата на празен ход, както и времето на задействане).

Вибрации

Общата стойност на вибрациите (сума от три осови вектора), определена съгласно EN62841-2-1: Работен режим: пробиване в метал
Ниво на вибрациите ($a_{h,D}$): 2,5 м/с² или по-малко
Коефициент на неопределеност (K): 1,5 м/с²

ЗАБЕЛЕЖКА: Обявената(ите) обща(и) стойност(и) на вибрациите $e(sa)$ измерена(и) в съответствие със стандартни методи за изпитване и може да се използва(т) за сравняване на инструменти.

ЗАБЕЛЕЖКА: Обявената(ите) обща(и) стойност(и) на вибрациите може да се използва(т) също и за предварителна оценка на вредното въздействие.

▲ ПРЕДУПРЕЖДЕНИЕ: Нивото на вибрациите при работа с електрически инструмент може да се различава от обявената(ите) стойност(и) в зависимост от начина на използване на инструмента, по-специално какъв детайл се обработва.

▲ ПРЕДУПРЕЖДЕНИЕ: Задължително определете предпазни мерки за защита на оператора въз основа на оценка на риска в реални работни условия (като се вземат предвид всички етапи на работния цикъл, като например момента на изключване на инструмента, работата на празен ход, както и времето на задействане).

ЕО декларация за съответствие

Само за европейските страни

ЕО декларацията за съответствие е включена като Анекс А към тази инструкция за употреба.

ПРЕДУПРЕЖДЕНИЯ ЗА БЕЗОПАСНОСТ

Общи предупреждения за безопасност при работа с електрически инструменти

▲ ПРЕДУПРЕЖДЕНИЕ: Прочетете всички предупреждения, инструкции, илюстрации и спецификации за безопасността, предоставени с този електрически инструмент. При неспазване на изброените по-долу инструкции има опасност от токов удар, пожар и/или тежко нараняване.

Запазете всички предупреждения и инструкции за справка в бъдеще.

Терминът "електрически инструмент" в предупрежденията се отнася за вашия инструмент (с кабел за включване в мрежата) или работещ на батерии (безжичен) електрически инструмент.

Предупреждения за безопасна работа с акумулаторна бормашина с винтоверт

Инструкции за безопасност за всички операции

1. **Дръжте електрическият инструмент за изолирани и нехлъзгави повърхности, когато по време на работа има опасност режещият елемент или закрепващите елементи да се допрат до скрити кабели.** Ако режещият елемент или закрепващите елементи докоснат проводник под напрежение, токът може да премине през металните части на електрическият инструмент и да „ударя“ работещия.
2. **Винаги осигурявайте добра опора за краката си.** Когато използвате инструмента на високи места, се убедете, че отдолу няма никой.
3. **Дръжте инструмента здраво.**
4. **Дръжте ръцете си далеч от въртящите се части.**
5. **Не оставяйте инструмента да работи без надзор.** Инструментът трябва да работи само когато го държите в ръце.
6. **Не докосвайте свредлото, обработвания детайл или стружките непосредствено след работа, защото могат да са много горещи и да изгорят кожата ви.**
7. **Някои материали съдържат химикали, които е възможно да са токсични.** Вземете предпазни мерки, за да предотвратите вдишването на прах и контакта с кожата. Следвайте информацията на доставчика за безопасната работа с материала.
8. **Ако свредлото не може да се разхлаби дори при отваряне на челюстите, използвайте клещи, за да го извадите.** Изваждането на свредлото с ръка може да Ви нарани с острият си ръбове.
9. **Уверете се, че няма електрически кабели, водопроводни тръби, газови тръби и др., които биха могли да създадат опасност, ако бъдат повредени при използване на инструмента.**

Инструкции за безопасност при използване на дълги свредла

1. **Никога не работете на по-високи обороти от максималните, за които е оразмерено свредлото.** При по-високи обороти свредлото може да се огъне, ако му се позволи да се върти свободно, без да е в контакт с детайла, което ще доведе до телесно нараняване.
2. **Винаги започвайте да пробивате на ниски обороти и с връх на свредлото, допрян до детайла.** При по-високи обороти свредлото може да се огъне, ако му се позволи да се върти свободно, без да е в контакт с детайла, което ще доведе до телесно нараняване.
3. **Прилагайте натиск само по права линия спрямо свредлото, но не натискайте твърде силно.** Свредлата може да се огънат, което ще доведе до счупване или загуба на контрол, причинявайки телесни наранявания.

ЗАПАЗЕТЕ НАСТОЯЩИТЕ ИНСТРУКЦИИ.

▲ ПРЕДУПРЕЖДЕНИЕ: НЕ позволявайте комфорта от познаването на продукта (придобит при дългата му употреба) да замени стриктното спазване на правилата за безопасност за въпросния продукт. **НЕПРАВИЛНАТА УПОТРЕБА** и неспазването на правилата за безопасност, посочени в настоящото ръководство за експлоатация, могат да доведат до тежки наранявания.

Важни инструкции за безопасност за акумулаторната батерия

1. Преди да използвате акумулаторната батерия, прочетете всички инструкции и предупредителни маркировки на (1) зарядното устройство за батериите, (2) за батериите и (3) за използващия батериите продукт.
2. Не разглобявайте и не променяйте акумулаторната батерия. Това може да предизвика пожар, прегряване или взрив.
3. Ако мощността на машината намалее много, веднага спрете да работите. Това може да доведе до риск от прегряване, до възможни изгаряния и даже до експлозии.
4. Ако в очите ви попадне електролит, изплакнете ги с чиста вода и веднага потърсете лекарска помощ. Това може да доведе до загуба на зрението ви.
5. Не давайте на късо акумулаторните батерии:
 - (1) Не докосвайте клемите с проводими материали.
 - (2) Избягвайте съхраняването на акумулаторните батерии в контейнер с други метални предмети като пирони, монети и други подобни.
 - (3) Не излагайте акумулаторните батерии на вода или дъжд.Закъсяването на акумулаторна батерия може да доведе до протичане на много силен ток, до прегряване, до възможни изгаряния и даже до разпадане на батериата.
6. Не съхранявайте и не използвайте инструмент и акумулаторните батерии на места, където температурата може да достигне или надмине 50 °C (122 °F).
7. Не изгаряйте акумулаторните батерии даже и ако те са сериозно повредени или напълно износени. Акумулаторната батерия може да експлодира в огън.
8. Не забивайте пирони, не режете, не смачквайте, не хвърляйте, не изпускате и не удяйте в твърд предмет акумулаторната батерия. Това поведение може да предизвика пожар, прегряване или взрив.
9. Не използвайте повредени акумулаторни батерии.

10. Съдържащите се литиево-йонни акумулаторни батерии са обект на изискванията на законодателството за опасни стоки. При търговски превози, напр. от трети страни, следитори, трябва да се спазват специални изисквания за опаковане и етикетирание. За подготовка на артикула, който трябва да бъде изпратен, е необходима консултация с експерт по опасните материали. Моля, спазвайте и евентуално по-подробните национални разпоредби. Запечатете с лента или покрийте откритите контакти и опаковайте акумулаторната батерия по такъв начин, че да не може да се премества в опаковката.
11. При изхвърляне на акумулаторната батерия я извадете от инструмента и я изхвърлете на подходящо място. Спазвайте местните разпоредби за изхвърляне на акумулаторни батерии.
12. Използвайте батериите само с продуктите, определени от Makita. Поставянето на батериите към неодобрен продукт може да предизвика пожар, прегряване, взрив или изтичане на електролит.
13. Ако инструментът няма да се използва продължително време, батерията трябва да се извади от него.
14. По време на и след употреба акумулаторната батерия може да поеме топлина, която може да причини изгаряния или нискотемпературни изгаряния. Внимавайте, когато боравите с горещите акумулаторни батерии.
15. Не докосвайте клемата на инструмента веднага след употреба, тъй като е възможно да е достатъчно нагрята, за да предизвика изгаряния.
16. Не позволявайте стружки, прах или почва да полепват по клемите, отворите и каналите на акумулаторната батерия. Това може да причини загряване, възникване на пожар, избухване и повреда на инструмента или акумулаторната батерия, което да доведе до изгаряния или телесни наранявания.
17. Освен ако инструментът поддържа използването в близост до високоволтови електропроводи, не използвайте акумулаторната батерия близо до високоволтови електропроводи. Това може да доведе до неизправност или повреда на инструмента или акумулаторната батерия.
18. Пазете батерията от деца.

ЗАПАЗЕТЕ НАСТОЯЩИТЕ ИНСТРУКЦИИ.

▲ ВНИМАНИЕ: Използвайте само оригинални акумулаторни батерии на Makita. При използване на различни от акумулаторните батерии на Makita или стари акумулаторни батерии може да се получи пръскане на акумулаторната батерия, което да доведе до пожар, нараняване или повреда. Това също ще анулира гаранцията на Makita за инструмента и зарядното устройство Makita.

Съвети за поддържане на максимално дълъг живот на акумулаторните батерии

1. Зареждайте акумулаторните батерии, преди те да са се разреждали напълно. Когато забележите, че мощността на инструмента намалява, винаги спирайте работата с инструмента и заредете акумулаторната батерия.
2. Никога не презареждайте напълно заредена акумулаторна батерия. Презарядът скъсява експлоатационния живот на батерията.
3. Зареждайте акумулаторната батерия при стайна температура от 10 °C – 40 °C (50 °F – 104 °F). Оставете загрятите акумулаторни батерии да се охладят, преди да ги зареждате.
4. Когато не използвате акумулаторната батерия, извадете я от инструмента или зарядното устройство.
5. Заредете акумулаторната батерия, ако не сте го използвали дълъг период от време (повече от шест месеца).

ОПИСАНИЕ НА ФУНКЦИИТЕ

⚠ВНИМАНИЕ: Винаги проверявайте дали инструментът е изключен и касетата с акумулаторната батерия е извадена, преди да регулирате или проверявате дадена функция на инструмента.

Поставяне и изваждане на акумулаторната батерия

⚠ВНИМАНИЕ: Винаги изключвайте инструмента преди поставяне или изваждане на акумулаторната батерия.

⚠ВНИМАНИЕ: Когато инсталирате или изваждате акумулаторната батерия, дръжте здраво инструмента и акумулаторната батерия. Ако не дръжите здраво инструмента и акумулаторната батерия, те могат да се изплъзнат от ръцете ви и да доведат до повреждане на инструмента и акумулаторната батерия или нараняване.

- **Фиг.1:** 1. Червен индикатор 2. Бутон
3. Акумулаторна батерия

За да извадите акумулаторната батерия, я плъзнете извън инструмента, плъзгайки същевременно бутон в предната част на акумулаторната батерия.

За да поставите акумулаторната батерия, изравнете езичето на акумулаторната батерия с жлеба в корпуса и го плъзнете на мястото му. Придвигвайте я по протежението на жлеба, докато не се намести с леко шракване. В случай че видите червения индикатор, както е показано на фигурата, тя не е фиксирана напълно на мястото си.

⚠ВНИМАНИЕ: Винаги вмъквайте акумулаторната батерия докрай, така че червеният индикатор да се скрие. В противен случай тя може неволно да изпадне от инструмента, което може да нарани вас или някого около вас.

⚠ВНИМАНИЕ: Не инсталирайте акумулаторната батерия със сила. Ако батерията не се движи свободно, тя не е била поставена правилно.

Индикация на оставащия капацитет на акумулаторната батерия

Само за акумулаторни батерии с индикатор

- **Фиг.2:** 1. Светлинни индикатори 2. Бутон за проверка

Натиснете бутона за проверка на акумулаторната батерия за показване на оставащия заряд на батерията. Светлинните индикатори ще светнат за няколко секунди.

Светлинни индикатори			Оставащ заряд на батерията
Свети	Изкл.	Мига	
■ ■ ■ ■	□ □ □ □	▬	75% до 100%
■ ■ ■ □	□ □ □ □	▬	50% до 75%
■ ■ □ □	□ □ □ □	▬	25% до 50%
■ □ □ □	□ □ □ □	▬	0% до 25%
▬	□ □ □ □	▬	Заредете батерията.
■ ■ □ □	□ □ □ □	▬	Батерията може да не работи правилно.
□ □ ■ ■	□ □ □ □	▬	

ЗАБЕЛЕЖКА: В зависимост от условията на употреба и околната температура е възможно показанията леко да се различават от действителния капацитет.

ЗАБЕЛЕЖКА: Първият (краен ляв) светлинен индикатор ще мига, когато системата за защита на батерията функционира.

Система за защита на инструмента / акумулаторната батерия

Инструментът е оборудван със система за защита на инструмента/акумулаторната батерия. Тази система автоматично прекъсва захранването, за да осигури по-дълъг живот на инструмента и акумулаторната батерия. Инструментът ще спре автоматично по време на работа, ако инструментът или батерията се намират в едно от следните условия:

Защита срещу претоварване

Тази защита действа, когато инструментът се използва по начин, който налага използването на прекалено много ток. В такъв случай изключете инструмента и прекратете му по начина, който го претоварва. След това включете инструмента за повторно стартиране.

Защита срещу прегряване

Тази защита действа, когато инструментът или батерията са прегрели. При това положение оставете инструмента и батерията да се охладят, преди да включите инструмента отново.

Защита срещу прекомерно разреждане

Тази защита действа, когато оставащият капацитет на акумулаторната батерия намалее. В този случай извадете батерията от инструмента и я заредете.

Включване

► Фиг.3: 1. Пусков прекъсвач

⚠ ВНИМАНИЕ: Преди да поставите батерията в инструмента, винаги проверявайте дали пусковият прекъсвач работи нормално и се връща в положение "OFF" (ИЗКЛ.) при отпускането му.

За да включите инструмента, просто натиснете пусковия прекъсвач. Оборотите на инструмента се увеличават с увеличаване на натиска върху пусковия прекъсвач. За спиране отпуснете пусковия прекъсвач.

Действие на превключвателя за промяна на посоката

► Фиг.4: 1. Превключвател на посоката на въртене

⚠ ВНИМАНИЕ: Винаги проверявайте посоката на въртене преди работа.

⚠ ВНИМАНИЕ: Използвайте превключвателя за промяна на посоката на въртене само когато инструментът е напълно спрял. Промяна на посоката на въртене преди спиране на инструмента може да го повреди.

⚠ ВНИМАНИЕ: Когато инструментът не се използва, винаги поставяйте превключвателя на посоката на въртене в неутрално положение.

Инструментът е снабден с превключвател за промяна на посоката на въртене. Натиснете превключвателя на посоката на въртене от положение А за въртене по посока на часовниковата стрелка към положение В за посока обратна на часовниковата стрелка. Когато превключвателя на посоката на въртене е в неутрална позиция, пусковият прекъсвач не може да бъде натиснат.

Промяна на скоростта на въртене

► Фиг.5: 1. Превключвател на скоростта на въртене

⚠ ВНИМАНИЕ: Винаги поставяйте превключвателя на скоростта на въртене докрай в правилното положение. Ако експлоатираме инструмента, когато превключвателя на скоростта на въртене е поставен по средата, между страна "1" и страна "2", това може да повреди инструмента.



⚠ ВНИМАНИЕ: Не използвайте превключвателя на скоростта на въртене, докато инструментът работи. Инструментът може да се повреди.

Положение на превключвателя на скоростта на въртене	Обороти	Въртящ момент	Приложимо действие
1	Ниско	Високо	Работа с високо натоварване
2	Високо	Ниско	Работа с ниско натоварване

За промяна на оборотите най-напред изключете инструмента. Изберете положение "2" за по-високи обороти или "1" за ниски обороти, но с повишен въртящ момент. Преди работа проверявайте дали превключвателя на скоростта на въртене е поставен в правилното положение. Ако оборотите на инструмента рязко спадат по време на работа с "2", преместете превключвателя на "1" и подновете работата.

Регулиране на момента на затягане

► Фиг.6: 1. Регулиращ пръстен 2. Скала 3. Стрелка

Моментът на затягане може да се регулира на 17 степени чрез завъртане на регулиращия пръстен. Изравнете деленията със стрелката върху корпуса на инструмента. Моментът на затягане е минимален в положение "1" и максимален в положението на маркировката . Съединителят ще приплъзва при различни нива на момента на затягане при задаване на 1 до 16. Съединителят не работи в положението на маркировката . Преди работа завийте един винт за проба в материала или в образец от него, за да определите нужното ниво на затягане за конкретното приложение.

СГЛОБЯВАНЕ

⚠ВНИМАНИЕ: Преди да извършите някакви дейности по инструмента, задължително проверете дали той е изключен и акумулаторната батерия е извадена.

Монтаж или демонтаж на накрайник за отвертка/свредло

► **Фиг.7:** 1. Патронник

Завъртете патронника по посока, обратна на часовниковата стрелка, за да се отворят челюстите му. Поставете накрайника за отвертка/свредлото възможно най-навътре в патронника. Завъртете патронника по посока на часовниковата стрелка, за да затегнете челюстите. За изваждане на накрайника за отвертка/свредлото завъртете патронника обратно на часовниковата стрелка.

Монтиране на кука

Допълнителни аксесоари

⚠ПРЕДУПРЕЖДЕНИЕ: Използвайте частите за закачване/монтаж само по предназначение, напр. за закачане на инструмента на колан за инструменти между отделните задачи или при краткотрайно спиране на работата.

⚠ПРЕДУПРЕЖДЕНИЕ: Внимавайте да не претоварвате куката, тъй като твърде голямата сила или неравномерно натоварване може да причини повреди на инструмента, които да доведат до телесни наранявания.

⚠ВНИМАНИЕ: Когато монтирате куката, винаги я затягайте здраво с винта. В противен случай куката може да изпадне от инструмента и да причини телесно нараняване.

⚠ВНИМАНИЕ: Уверете се, че инструментът е закачен надеждно, преди да освободите захвата си. Недостатъчно или небалансирано закачване може да доведе до падане и можете да се нараните.

► **Фиг.8:** 1. Жлеб 2. Кука 3. Винт

Куката може да се използва за ваше удобство за временно закачане на инструмента. Куката може да се монтира от всяка страна на инструмента. За да монтирате куката, поставете я в жлеба на инструмента независимо от коя страна, след което я завийте с винт. За да я свалите, отвийте винта и я махнете.

Използване на окачалката

⚠ПРЕДУПРЕЖДЕНИЕ: Използвайте окачалката само по предназначение, например за връзване на инструмента на високо място. Силите на смачкване, действащи в тежко натоварена окачалка, може да доведат до повреди на окачалката и наранявания, причинени на вас или близкостоящи до вас хора.

► **Фиг.9:** 1. Окачалка

Използвайте окачалката, намираща се на долната задна част на инструмента, за да го окачвате на стена чрез въже за окачване или подобни ленти.

Експлоатация

⚠ВНИМАНИЕ: Винаги поставяйте акумулаторната батерия, докато се фиксира на място. В случай че виждате червения индикатор в горната част на бутона, това означава, че тя не е фиксирана напълно на мястото си. Приплъзнете го докрай, докато червеният индикатор се скрие. В противен случай тя може неволно да изпадне от инструмента, което може да нарани вас или някого около вас.

⚠ВНИМАНИЕ: При рязко спадане на оборотите, намалете натоварването или спрете инструмента, за да не го повредите.

Хванете здраво инструмента с едната ръка върху ръкохватката и с другата върху долната страна на акумулаторната батерия, за да противодействате на силата на въртене.

► **Фиг.10**

Работа със завинтване


⚠ВНИМАНИЕ: Поставете регулиращия пръстен на правилното ниво за затягане, необходимо за вашата работа.

⚠ВНИМАНИЕ: Уверете се, че накрайникът за отвертка е поставен директно в главата на винта – в противен случай винтът и/или накрайникът може да се повреди.

Поставете върха на накрайника за отвертка в главата на винта и окажете натиск върху инструмента. Пуснете инструмента на бавен ход, а след това постепенно увеличавайте оборотите. Отпуснете пусковия прекъсвач веднага щом инструментът превърти.

ЗАБЕЛЕЖКА: При вкарване на винт за дърво предварително пробийте водещ отвор с диаметър 2/3 от диаметъра на винта. Това улеснява завиването на винта и предпазва обработвания детайл от разцепване.

Работа с пробиване

Първо завъртете регулиращия пръстен така, че стрелката върху корпуса на инструмента да сочи към отметката . След това продължете, както следва.

Пробиване в дърво

Когато пробивате в дърво, най-добри резултати се получават със свредла за пробиване на дърво, снабдени с водещ винт. Той улеснява пробиването като издърпва свредлото в обработвания детайл.

Пробиване в метал

За да избегнете отклоняване на свредлото, когато започвате да пробивате отвор, направете вдлъбнатина с пробой и чук в точката на пробиване. Поставете върха на свредлото във вдлъбнатината и започнете да пробивате.

При пробиване на метали използвайте смазка за рязане. Изключения са чугунът и бронзът, които трябва да се пробиват на сухо.

⚠ВНИМАНИЕ: Прекомерно силен натиск върху инструмента няма да ускори пробиването. Всъщност този излишен натиск само може да доведе до повреда на върха на свредлото, да намали ефективността на инструмента и да съкрати срока за експлоатация на инструмента.

⚠ВНИМАНИЕ: Дръжте инструмента здраво и работете с внимание, когато свредлото започне да прониква през обработвания детайл. В момента на разпробиване на отвор възниква огромна сила, упражнявана върху инструмента/свредлото.

⚠ВНИМАНИЕ: Блокирано свредло може да се извади лесно, като превключвателят на посоката на въртене се настрои за обратно въртене, за да се извади. Въпреки това инструментът може рязко да завърти обратно, ако не го държите здраво.

⚠ВНИМАНИЕ: Малките обработвани детайли трябва винаги да се закрепват в менгеме или подобно задържащо устройство.

⚠ВНИМАНИЕ: Ако инструментът е бил използван без прекъсване до разреждане на акумулаторната батерия, го оставете в покой за 15 минути преди продължаване на работа с нова заредена батерия.

ПОДДРЪЖКА

⚠ВНИМАНИЕ: Преди да проверявате или извършвате поддръжка на инструмента, се уверете, че той е изключен и акумулаторната батерия е извадена.

БЕЛЕЖКА: Не използвайте бензин, нафта, разреждател, спирт и др. подобни. Това може да причини обезцветяване, деформация или пукнатини.

За да се съхрани БЕЗОПАСНОСТТА и НАДЕЖДНОСТТА на инструмента, ремонтите, огледът и смяната на четките, обслужването и регулирането трябва да се извършват от упълномощен сервиз на Makita или от фабричния сервиз, като се използват резервни части от Makita.

ДОПЪЛНИТЕЛНИ АКСЕСОАРИ

⚠ВНИМАНИЕ: Препоръчва се използването на тези аксесоари или накрайници с вашия инструмент Makita, описан в настоящото ръководство. Използването на други аксесоари или накрайници може да доведе до опасност от телесни повреди. Използвайте съответния аксесоар или накрайник само по предназначение.

Ако имате нужда от помощ за повече подробности относно тези аксесоари, се обърнете към местния сервизен център на Makita.

- Свредла
- Накрайници за отвертка
- Кука
- Оригинална акумулаторна батерия и зарядно устройство на Makita
- Автоматичен подновяващ адаптер
- Пластмасово куфарче за пренасяне

ЗАБЕЛЕЖКА: Някои артикули от списъка може да са включени в комплекта на инструмента, като стандартни аксесоари. Те може да са различни в различните държави.

SPECIFIKACIJE

Model:		DDF343	DDF453
Kapaciteti bušenja	Čelik	10 mm	13 mm
	Drvo	25 mm	36 mm
Kapaciteti pričvršćivanja	Vijak za drvo	5,1 mm x 63 mm	6 mm x 75 mm
	Strojni vijak	M6	
Brzina bez opterećenja	Visoko (2)	0 - 1.300 min ⁻¹	
	Nisko (1)	0 - 400 min ⁻¹	
Ukupna dužina		192 mm	214 mm
Nazivni napon		DC 14,4 V	DC 18 V
Neto težina		1,4 - 1,7 kg	1,7 - 2,0 kg

- Zahvaljujući našem stalnom programu razvoja i istraživanja, navedene specifikacije podložne su promjenama bez obavijesti.
- Specifikacije mogu biti različite ovisno o zemlji.
- Težina se može razlikovati ovisno o opremi, uključujući baterijski uložak. Najlakša i najteža kombinacija, sukladno postupku EPTA 01/2014, prikazane su u nastavku.

Odgovarajući baterijski uložak i punjač

Baterija	Model D.C.14,4 V	BL1415N / BL1430B / BL1440 / BL1460B
	Model D.C.18 V	BL1815N / BL1820B / BL1830B / BL1840B / BL1850B / BL1860B
Punjač	DC18RC / DC18RD / DC18RE / DC18SD / DC18SE / DC18SF / DC18SH / DC18WC	

- Neki od navedenih baterijskih uložaka i punjača možda neće biti dostupni ovisno o regiji u kojoj se nalazite.

⚠ UPOZORENJE: Upotrebjavajte samo navedene baterijske uloške i punjače. Upotreba bilo koje druge vrste baterijskih uložaka i punjača može prouzročiti ozljede i/ili požar.

Namjena

Alat je namijenjen za bušenje i pričvršćivanje vijcima u drvu, metalu i plastici.

Buka

Tipična jačina buke označena s A, određena sukladno EN62841-2-1:

Model DDF343

Razina tlaka zvuka (L_{pA}): 70 dB (A) ili manje
Neodređenost (K): 3 dB (A)

Razina buke u radu može prelaziti 80 dB (A).

Model DDF453

Razina tlaka zvuka (L_{pA}): 72 dB (A)
Neodređenost (K): 3 dB (A)

Razina buke u radu može prelaziti 80 dB (A).

NAPOMENA: Deklarirana vrijednost emisije buke izmjerena je prema standardnoj metodi testiranja i može se rabiti za usporedbu jednog alata s drugim.

NAPOMENA: Deklarirana vrijednost emisije buke također se može rabiti za preliminarnu procjenu izloženosti.

⚠ UPOZORENJE: Nosite zaštitu za uši.

⚠ UPOZORENJE: Emisija buke tijekom stvarnog korištenja električnog ručnog alata se može razlikovati od deklariranih vrijednosti emisije, ovisno o načinu na koji se alat rabi, posebice ovisno o tome kakav se izradak izrađuje.

⚠ UPOZORENJE: Nemojte zaboraviti da identifikirate sigurnosne mjere zaštite rukovatelja koje se temelje na procjeni izloženosti u stvarnim uvjetima korištenja (uzimajući u obzir sve dijelove radnog ciklusa, poput vremena kada je alat isključen i kada on radi u praznom hodu, a također i vrijeme okidanja).

Vibracija

Ukupna vrijednost vibracija (troosni vektorski zbir) izračunata u skladu s EN62841-2-1:

Način rada: bušenje metala
Emisija vibracija ($a_{h,D}$): 2,5 m/s² ili manje
Neodređenost (K): 1,5 m/s²

NAPOMENA: Deklarirana vrijednost ukupnih vibracija izmjerena je prema standardnoj metodi testiranja i može se rabiti za usporedbu jednog alata s drugim.

NAPOMENA: Deklarirana vrijednost ukupnih vibracija također se može rabiti za preliminarnu procjenu izloženosti.

⚠️ UPOZORENJE: Emisija vibracija tijekom stvarnog korištenja električnog ručnog alata se može razlikovati od deklariranih vrijednosti emisije, ovisno o načinu na koji se alat rabi, posebice ovisno o tome kakav se izradak izrađuje.

⚠️ UPOZORENJE: Nemojte zaboraviti da identifikirate sigurnosne mjere zaštite rukovatelja koje se temelje na procjeni izloženosti u stvarnim uvjetima korištenja (uzimajući u obzir sve dijelove radnog ciklusa, poput vremena kada je alat isključen i kada on radi u praznom hodu, a također i vrijeme okidanja).

Izjava o sukladnosti EZ

Samo za države članice Europske unije

Izjava o sukladnosti EZ u privitku je Priloga A ovih uputa za upotrebu.

SIGURNOSNA UPOZORENJA

Opća sigurnosna upozorenja za električne ručne alate

⚠️ UPOZORENJE: Pročitajte sva sigurnosna upozorenja, upute, ilustracije i specifikacije priložene uz ovaj električni ručni alat. Nepridržavanje svih uputa navedenih u nastavku može rezultirati strujnim udarom, požarom i/ili ozbiljnim ozljedama.

Sačuvajte sva upozorenja i upute radi kasnijeg korištenja.

Pojam „električni alat“ u upozorenjima odnosi se na električni (kabelski) alat uključen u struju ili na bežične električne alate (na baterije).

Sigurnosna upozorenja za bežičnu udarnu bušilicu

Sigurnosne upute za sve radnje

1. **Držite električni alat za izolirane rukohvatne površine kad izvodite radnju pri kojoj rezni dodatak ili pričvršćivači mogu doći u dodir sa skrivenim vodičima.** Rezni dodatak ili pričvršćivači koji dođu u dodir s vodičem pod naponom mogu dovesti pod napon izložene metalne dijelove električnog alata i mogu prouzročiti strujni udar kod rukovatelja.
2. **Uvijek stojte na čvrstom uporištu.** Pazite da nitko ne stoji ispod vas kad koristite uređaj na visini.
3. **Čvrsto držite alat.**
4. **Držite ruke podalje od dijelova koji se okreću.**
5. **Ne ostavljajte alat da radi.** Alatom radite isključivo držeci ga u ruci.
6. **Ne dodirujte nastavak za bušenje, izradak ili strugotine odmah nakon rada; mogu biti izuzetno vrući i mogli bi vam opeći kožu.**

7. **Neki materijal sadrži kemikalije koje mogu biti toksične.** Poduzmite potrebne mjere opreza da biste spriječili udisanje prašine i dodir s kožom. Pročitajte sigurnosno-tehnički list dobavljača materijala.
8. **Ako nastavak za bušenje ne možete otpustiti čak ni kad otvorite čeljust, izvucite ga klješćima.** U tom slučaju, izvlačenje nastavka za bušenje rukom može rezultirati ozljedama zbog oštrog ruba.
9. **Provjerite da nema električnih kabela, cijevi za vodu, plinskih cijevi i sl. koje mogu prouzročiti opasnost ako se pri upotrebi alata oštete.**

Sigurnosne upute pri upotrebi dugačkih nastavaka za bušenje

1. **Ne upravljajte nastavcima za bušenje pri brzini koja je veća od maksimalne brzine rada.** Ako se može slobodno okretati bez kontakta s izratkom, nastavak se pri većim brzinama može saviti, što će rezultirati ozljedama.
2. **Uvijek počnite bušiti na manjoj brzini tako da je vrh nastavka u kontaktu s izratkom.** Ako se može slobodno okretati bez kontakta s izratkom, nastavak se pri većim brzinama može saviti, što će rezultirati ozljedama.
3. **Primijenite pritisak samo na putanji nastavka i nemojte primjenjivati dodatni pritisak.** Nastavci se mogu saviti, što može dovesti do pucanja ili gubitka kontrole i rezultirati ozljedama.

ČUVAJTE OVE UPUTE.

⚠️ UPOZORENJE: NEMOJTE dozvoliti da odobnost ili znanje o proizvodu (stečeno stalnim korištenjem) zamijene strogo pridržavanje sigurnosnih propisa za određeni proizvod. ZLOUPORABA ili nepridržavanje sigurnosnih propisa navedenih u ovom priručniku s uputama mogu prouzročiti ozbiljne ozljede.

Važne sigurnosne upute za bateriju

1. **Prije uporabe baterije pročitajte sve upute i oznake upozorenja na (1) punjaču za baterije, (2) bateriji i (3) proizvodu koji koristi bateriju.**
2. **Nemojte rastavljati ili izmjenjivati baterijski uložak.** To može dovesti do požara, pretjeranog zagrijavanja ili eksplozije.
3. **Ako se vrijeme rada znatno skratilo, odmah prestanite raditi.** Može doći do pregrijavanja, mogućih opekline pa čak i eksplozije.
4. **Ako vam elektrolit dospije u oči, isperite ih čistom vodom i odmah se obratite liječniku.** Tako možete izgubiti vid.
5. **Nemojte kratko spajati bateriju:**
 - (1) **Ne dovodite terminale u kontakt s provodljivim materijalima.**
 - (2) **Ne čuvajte bateriju u spremniku s drugim metalnim predmetima poput čavala, kovanica itd.**
 - (3) **Ne izlažite bateriju vodi ili kiši.** Kratki spoj baterije može uzrokovati velik protok struje, pregrijavanje, moguće opekline pa čak i kvar.

6. Ne držite i ne upotrebljavajte alat i baterijski uložak na mjestima gdje temperatura može premašiti 50 °C (122 °F).
7. Ne spaljujte bateriju čak ni ako je ozbiljno oštećena ili potpuno istrošena. Baterija može eksplodirati u vatri.
8. Nemojte zabijati čavle u baterijski uložak, rezati ga, gnječiti, bacati ili udarati tvrdim predmetom. Ti postupci mogu dovesti do požara, prethranog zagrijavanja ili eksplozije.
9. Ne koristite oštećene baterije.
10. Sadržane litij-ionske baterije podliježu odredbama zakonskih propisa o opasnim tvarima. Kada se radi o komercijalnom transportu koji obavljaju npr. dobavljači ili špediteri, moraju se poštovati posebni zahtjevi na pakiranju i oznakama. Prilikom pripreme isporuke takve stavke potražite savjet stručnjaka za opasne tvari. Pogledajte i moguće podrobnije nacionalne propise. Prekrijte trakom ili zaštitite otvorene kontakte i bateriju zapakirajte tako da se ne može pomicati u pakiranju.
11. Kada odlažete baterijski uložak u otpad, uklonite ga iz alata i zbrinite na sigurnom mjestu. Pridržavajte se lokalnih zakonskih propisa za zbrinjavanje baterija.
12. Upotrebljavajte baterije samo s proizvodima koje je odobrila tvrtka Makita. Umetanje baterija u neprikladne proizvode može dovesti do požara, prekomjerne topline, eksplozije ili curenja elektrolita.
13. Ako se alat ne upotrebljava dulje vrijeme, bateriju morate ukloniti iz alata.
14. Tijekom i nakon upotrebe baterijski uložak može se zagrijati i prouzročiti opekline višeg ili nižeg stupnja. Pažljivo rukujte vrućim baterijskim ulošcima.
15. Nemojte dirati priključak alata neposredno nakon upotrebe jer se može zagrijati toliko da prouzroči opekline.
16. Nemojte dopustiti da krhotine, prašina ili zemlja zapnu u priključcima, otvorima i utorima baterijskog uloška. To može dovesti do pregrijavanja, zapaljenja, eksplozije ili kvara na uređaju ili baterijskom ulošku, što može prouzročiti opekline ili osobne ozljede.
17. Ako alat ne podržava upotrebu u blizini visokonaponskih električnih vodova, nemojte upotrebljavati baterijski uložak u blizini visokonaponskih električnih vodova. To može dovesti do neispravnog rada ili kvara alata ili baterijskog uloška.
18. Bateriju čuvajte podalje od djece.

ČUVAJTE OVE UPUTE.

▲OPREZ: Uvijek upotrebljavajte originalne baterije Makita. Upotreba baterija koje nisu originalne baterije Makita ili su izmijenjene može dovesti do rasprskavanja baterije i uzrokovati požar, tjelesnu ozljedu ili štetu. To će također poništiti jamstvo tvrtke Makita za alat i punjač Makita.

Savjeti za održavanje najduljeg vijeka trajanja baterije

1. Napunite bateriju prije nego što se potpuno isprazni. Uvijek zaustavite alat i napunite bateriju kad primijetite da alat slabije radi.
2. Nikad ne punite već do kraja napunjenu bateriju. Pretjerano punjenje skraćuje radni vijek baterije.
3. Bateriju punite na sobnoj temperaturi između 10 °C i 40 °C. Vruću bateriju prije punjenja ostavite da se ohladi.
4. Kada ne upotrebljavate baterijski uložak, uklonite ga iz alata ili punjača.
5. Napunite bateriju ako je ne mislite koristiti duže vrijeme (duže od 6 mjeseci).

FUNKCIONALNI OPIS

▲OPREZ: Prije podešavanja ili provjere rada alata obavezno provjerite je li stroj isključen i baterija uklonjena.

Umetanje ili uklanjanje baterije

▲OPREZ: Uvijek isključite alat prije umetanja ili uklanjanja baterije.

▲OPREZ: Čvrsto držite alat i bateriju pri umetanju ili uklanjanju baterije. Ako alat i bateriju ne držite čvrsto, mogli bi vam iskliznuti iz ruku te oštetiti alat i bateriju ili uzrokovati osobnu ozljedu.

► **SI.1:** 1. Crvena oznaka 2. Gumb 3. Baterija

Za uklanjanje bateriju gurnite van iz alata pritiskom gumba na prednjoj strani uloška.

Za umetanje baterijskog uloška poravnajte jezičac na baterijskom ulošku s utorom na kućištu i gurnite ga na mjesto. Umetnite bateriju skroz do kraja dok ne sjedne na svoje mjesto uz mali klik. Ako možete vidjeti crvenu oznaku kao što je prikazano na slici, ona nije do kraja sjela na svoje mjesto.

▲OPREZ: Uvijek umetnite baterijski uložak do kraja tako da ne možete vidjeti crvenu oznaku. U suprotnom može slučajno ispasti iz alata, što može dovesti do ozljede vas ili nekog u blizini.

▲OPREZ: Ne umećite bateriju silom. Ako baterija ne klizne lagano, znači da nije ispravno umetnuta.

Prikaz preostalog kapaciteta baterije

Samo za baterijske uloške s indikatorom

► **Sl.2:** 1. Žaruljice indikatora 2. Gumb za provjeru

Pritisnite gumb za provjeru na bateriji kako biste provjerili preostali kapacitet baterije. Žaruljica indikatora zasvijetlit će na nekoliko sekundi.

Žaruljice indikatora			Preostali kapacitet
Svijetli	Isključeno	Treperi	
			75 % do 100 %
			50 % do 75 %
			25 % do 50 %
			0 % do 25 %
			Napunite bateriju.
			Baterija je možda neispravna.

NAPOMENA: Ovisno o uvjetima upotrebe i temperaturi okoline, prikaz indikatora može se donekle razlikovati od stvarnog kapaciteta.

NAPOMENA: Prva (krajnja lijeva) žaruljica indikatora treperit će dok radi sustav za zaštitu baterije.

Sustav zaštite alata/baterije

Ovaj alat sadrži sustav zaštite alata/baterije. Sustav automatski prekida napajanje da bi produžio radni vijek alata i baterije. Alat automatski prestaje raditi ako se alat ili baterija nađu u nekom od sljedećih uvjeta:

Zaštita od preopterećenja

Ta zaštita funkcionira kad se alatom upravlja na način koji dovodi do neuobičajeno velike potrošnje struje. U tom slučaju isključite alat i prestanite ga upotrebljavati na način koji je izazvao preopterećenje. Zatim uključite alat kako biste ga ponovno pokrenuli.

Zaštita od pregrijavanja

Ta zaštita funkcionira kad se alat ili baterija pregriju. U tom slučaju pričekajte da se alat ili baterija ohlade prije nego što ponovno pokrenete alat.

Zaštita od prekomjernog pražnjenja

Ta zaštita funkcionira kad se smanji preostali kapacitet baterije. U tom slučaju izvadite bateriju iz alata i napunite je.

Uključivanje i isključivanje

► **Sl.3:** 1. Uključno/isključna sklopka

OPREZ: Prije umetanja baterije u alat provjerite radi li uključno/isključna sklopka i vraća li se u položaj za isključivanje „OFF” nakon otpuštanja.

Za pokretanja alata jednostavno povucite uključno/isključnu sklopku. Brzina alata povećava se povećanjem pritiska na uključno/isključnu sklopku. Za zaustavljanje alata otpustite uključno/isključnu sklopku.

Rad prekidača za promjenu smjera

► **Sl.4:** 1. Ručica prekidača za promjenu smjera

OPREZ: Uvijek provjerite smjer vrtnje prije rada.

OPREZ: Koristite prekidač za promjenu smjera tek kad se alat do kraja zaustavi. Promjena smjera vrtnje prije zaustavljanja može oštetiti alat.

OPREZ: Kad alat ne radi, uvijek postavite ručicu prekidača za promjenu smjera vrtnje u neutralan položaj.

Ovaj alat ima prekidač za promjenu smjera vrtnje. Otpustite prekidač za promjenu smjera iz strane A za zakretanje u smjeru kazaljke na satu ili iz strane B u smjeru suprotnom kazaljci na satu. Kad je prekidač za promjenu smjera u neutralnom položaju, povlačenje uključno/isključne sklopke nije moguće.

Promjena brzine

► **Sl.5:** 1. Ručica za promjenu brzine

OPREZ: Uvijek postavite ručicu za promjenu brzine u točan položaj. Ako upotrebljavate alat dok je ručica za promjenu brzine postavljena na pola puta između strana „1” i „2”, alat se može oštetiti.



OPREZ: Ne koristite ručicu za promjenu brzine dok alat radi. Alat se može oštetiti.

Položaj ručice za promjenu brzine	Brzina	Okretni moment	Primjenjiva radnja
1	Nisko	Visoko	Rad pod velikim opterećenjem
2	Visoko	Nisko	Rad pod malim opterećenjem

Da biste promijenili brzinu, prvo isključite alat. Odaberite stranu „2” za veliku brzinu ili „1” za malu brzinu, no veliki okretni moment. Ručica za promjenu brzine prije rada mora biti postavljena u točan položaj. Ako se brzina alata značajno smanjuje tijekom rada u položaju „2”, pomaknite ručicu u položaj „1” i ponovite radnju.

Prilagođavanje zateznog momenta

- **SI.6:** 1. Prsten za prilagodbu 2. Stupnjevanje
3. Strelica

Zatezni moment može se prilagoditi u 17 koraka zakretanjem prstena za prilagođavanje. Poravnajte stupnjeve sa strelicom na kućištu alata. Minimalni je zatezni moment pod brojem 1, a maksimalni na oznaci . Spojka će skliznuti na različite razine okretnog momenta kada je postavite na brojeve od 1 do 16. Spojka ne radi s oznakom . Prije samog rada zavijte probni vijak u željeni materijal ili uzorak materijala da biste utvrdili koja je razina okretnog momenta potrebna za tu primjenu.

MONTAŽA

▲OPREZ: Prije izvođenja bilo kakve radnje na alatu obavezno provjerite je li stroj isključen i baterija uklonjena.

Postavljanje ili uklanjanje nastavka za zavrtač/nastavka za bušenje

- **SI.7:** 1. Tuljak

Da biste otvorili vilice brzostezne glave, okrenite tuljak u smjeru suprotnom od smjera kazaljke na satu. Stavite nastavak za zavrtač/nastavak za bušenje do kraja u brzosteznu glavu. Da biste zategnuli brzosteznu glavu, okrenite tuljak u smjeru kazaljke na satu. Da biste uklonili nastavak za zavrtač/nastavak za bušenje, okrenite tuljak u smjeru suprotnom od smjera kazaljke na satu.

Postavljanje kuke

Dodatni pribor

▲UPOZORENJE: Dijelove za vješanje/montažu upotrebljavajte isključivo za njihove namjene, vješanje alata o pojas između zadataka ili između radnih intervala.

▲UPOZORENJE: Pobrinite se da pravilno raspodijelite opterećenje i ne preopterete kuku jer tako može doći do oštećenja alata, što može prouzročiti ozljede.

▲OPREZ: Prilikom postavljanja kuke uvijek čvrsto zategnite vijak. Ako to ne učinite, kuka može pasti s alata i prouzročiti ozljede.

▲OPREZ: Alat pravilno objesite prije nego što ga ispustite iz ruku. Nepravilno ili neujednačeno obješen alat može pasti i može vas ozlijediti.

- **SI.8:** 1. Utor 2. Kuka 3. Vijak

Kuka služi da privremeno objesite alat. Može se postaviti s bilo koje strane alata. Da biste postavili kuku, umetnite je u utor na kućištu alata s jedne ili druge strane, a zatim je učvrstite vijkom. Za uklanjanje odvijte vijak i izvadite ga.

Upotreba utora

▲UPOZORENJE: Utor za vješanje nikad nemojte nenamjenski upotrebljavati, primjerice za pričvršćivanje alata na visokim mjestima. Naprezanje zbog jako opterećenog utora moglo bi oštetiti utor pa biste se mogli ozlijediti vi ili osobe oko vas.

- **SI.9:** 1. Utor za vješanje

Upotrebljavajte utor za vješanje na stražnjem donjem dijelu alata da biste alat objesili na zid s pomoću kabela za vješanje ili sličnih traka.

RAD

▲OPREZ: Uvijek umetnite bateriju do kraja tako da sjedne na mjesto. Ako možete vidjeti crveni indikator na gornjoj strani gumba, baterija nije do kraja sjela na svoje mjesto. Umetnite je do kraja tako da crveni indikator više ne bude vidljiv. U protivnom može slučajno ispasti iz alata, što može uzrokovati ozljede vas ili nekog u blizini.

▲OPREZ: U slučaju značajnog smanjenja brzine smanjite opterećenje ili zaustavite alat da se ne bi oštetio.

Čvrsto držite alat za rukohvat jednom rukom, a drugom držite donji dio baterije da biste kontrolirali uvijanje.

- **SI.10**

Rad odvijača


▲OPREZ: Prilagodite prsten za prilagodbu na odgovarajuću razinu okretnog momenta za rad.

▲OPREZ: Nastavak za odvijač mora biti pravilno umetnut u glavu vijka ili može doći do oštećenja vijka i/ili nastavka za zavrtač.

Postavite vršak nastavka za zavrtač u glavu vijka i primijenite pritisak na alat. Pokrenite alat na maloj brzini i postupno je povećavajte. Otpustite uključno/isključnu sklopku čim se spojka usijee.

NAPOMENA: Kada uvrćete vijak za drvo, unaprijed izbušite pomoćnu rupu veličine 2/3 promjera vijka. Olakšava uvrtnje i sprječava puknuće izratka.

Bušenje

Prvo postavite prsten za prilagodbu tako da vrh strelice pokazuje na oznaku . Potom nastavite kako slijedi.

Bušenje drva

Pri bušenju drva najbolji se rezultati ostvaruju svrdlima za drvo s vodećim vijkom. Vodeći vijak olakšava bušenje gurajući nastavak za bušenje u izradak.

Bušenje metala

Za sprječavanje klizanja nastavka za bušenje pri bušenju rupe napravite urez u središtu rupe za bušenje i udarite u točku u kojoj treba bušiti. Postavite vrh nastavka za bušenje u urez i počnite bušiti. Koristite mazivo za rezanje kad bušite metale. Izuzeci od ovog su željezo i bronca koje treba bušiti suhe.

⚠OPREZ: Jače pritiskanje alata neće ubrzati bušenje. Štoviše, dodatni će pritisak samo oštetiti vrh vašeg nastavka za bušenje, smanjiti performanse alata i skratiti njegov radni vijek.

⚠OPREZ: Čvrsto držite alat i obratite posebnu pozornost kad nastavak za bušenje počne prolaziti kroz izradak. Pri bušenju rupe na alat/nastavak za bušenje utječe velika sila.

⚠OPREZ: Nastavak za bušenje koji se zaglavi lako se može ukloniti postavljanjem prekidača u obrnuti smjer vrtnje da bi ga povukao van. No alat može naglo odskočiti unatrag ako ga ne držite čvrsto.

⚠OPREZ: Izratke uvijek držite u škripcu ili sličnom uređaju.

⚠OPREZ: Ako alat kontinuirano radi sve dok se baterija ne isprazni, ostavite alat da odstoji 15 minuta prije nastavka s novom baterijom.

ODRŽAVANJE

⚠OPREZ: Prije svih zahvata na stroju provjerite jeste li isključili stroj i uklonili bateriju.

NAPOMENA: Nikada nemojte koristiti benzin, mješavinu benzina, razrjeđivač, alkohol ili slično. Kao rezultat toga može se izgubiti boja, pojaviti deformacija ili pukotine.

Da biste zadržali SIGURNOST I POUZDANOST proizvoda, popravke, provjeru i zamjenu ugljenih četkica, održavanje ili namještanje prepustite ovlaštenim servisnim centrima Makita i uvijek rabite originalne rezervne dijelove.

DODATNI PRIBOR

⚠OPREZ: Ovaj dodatni pribor ili priključci preporučuju se samo za upotrebu s alatom Makita navedenim u ovom priručniku. Upotreba bilo kojeg drugog dodatnog pribora ili priključaka može prouzročiti ozljede. Upotrebljavajte dodatni pribor ili priključak samo za njegovu navedenu svrhu.

Ako vam je potrebna pomoć za više detalja u pogledu ovih dodatnih pribora, obratite se najbližem Makita servisnom centru.

- Nastavci za bušenje
- Nastavci za zavrtač
- Kuka
- Izvorna Makita baterija i punjač
- Adapter s automatskim osvježavanjem
- Plastična torbica

NAPOMENA: Neke stavke iz popisa se mogu isporučiti zajedno sa strojem kao standardni dodatni pribori. Oni mogu biti različiti ovisno o zemlji.

СПЕЦИФИКАЦИИ

Модел:		DDF343	DDF453
Капацитет на дупчење	Челик	10 мм	13 мм
	Дрво	25 мм	36 мм
Капацитет на затегнување	Завртка за дрво	5,1 мм x 63 мм	6 мм x 75 мм
	Машинска завртка	M6	
Брзина без оптоварување	Висока (2)	0 - 1.300 мин. ⁻¹	
	Ниска (1)	0 - 400 мин. ⁻¹	
Вкупна должина		192 мм	214 мм
Номинален напон		D.C. 14,4 V	D.C. 18 V
Нето тежина		1,4 - 1,7 кг	1,7 - 2,0 кг

- Поради нашата континуирана програма за истражување и развој, спецификациите тука подлежат на промена без најава.
- Спецификациите може да се разликуваат од држава до држава.
- Тежината може да се разликува во зависност од додатоците, вклучувајќи ја и касетата за батерија. Најлесната и најтешката комбинација, согласно процедурата на ЕПТА 01/2014 (Европската асоцијација за електрични алати), се прикажани во табелата.

Применлива касета за батерија и полнач

Касета за батерија	Модел D.C. 14,4 V	BL1415N / BL1430B / BL1440 / BL1460B
	Модел D.C. 18 V	BL1815N / BL1820B / BL1830B / BL1840B / BL1850B / BL1860B
Полнач		DC18RC / DC18RD / DC18RE / DC18SD / DC18SE / DC18SF / DC18SH / DC18WC

- Некои од касетите за батерии и полначите наведени погоре може да не се достапни зависно од регионот во кој живеете.

▲ ПРЕДУПРЕДУВАЊЕ: Користете ги само касетите за батерии и полначите наведени погоре. Користењето какви било поинакви касети за батерии и полначи може да создаде ризик од повреда и/или пожар.

Наменета употреба

Алатот е наменет за дупчење и завртување завртки во дрво, метал и пластика.

Бучава

Типична А-вредност за ниво на бучавата одредена во согласност со EN62841-2-1:

Модел DDF343

Ниво на звучниот притисок (L_{pA}): 70 dB (A) или помалку

Отстапување (K): 3 dB (A)

Нивото на бучава при работа може да надмине 80 dB (A).

Модел DDF453

Ниво на звучниот притисок (L_{pA}): 72 dB (A)

Отстапување (K): 3 dB (A)

Нивото на бучава при работа може да надмине 80 dB (A).

НАПОМЕНА: Номиналната вредност(и) за емисија на бучава е измерена во согласност со стандардни методи за испитување и може да се користи за споредување алати.

НАПОМЕНА: Номиналната вредност(и) за емисија на бучава може да се користи и како прелиминарна процена за изложеност.

▲ ПРЕДУПРЕДУВАЊЕ: Носете заштита за ушите.

▲ ПРЕДУПРЕДУВАЊЕ: Емисијата на бучава при фактичкото користење на алатот може да се разликува од номиналната вредност(и), зависно од начинот на којшто се користи алатот, особено од тоа како вид работен материјал се обработува.

▲ ПРЕДУПРЕДУВАЊЕ: Погрижете се да ги утврдите безбедносните мерки за заштита на лицето кое ракува со алатот врз основа на процена на изложеноста при фактичките услови на употреба (земајќи ги предвид сите делови на работниот циклус, како периодите кога електричниот алат е исклучен и кога работи во празен од, не само кога е активен).

Вибрации

Вкупна вредност на вибрациите (векторска сума на три оски) одредена во согласност со EN62841-2-1: Работен режим: дупчење во метал
Ширење вибрации ($a_{h,D}$): 2,5 m/c^2 или помалку
Отстапување (K): 1,5 m/c^2

НАПОМЕНА: Вкупната вредност(и) на номиналната јачина на вибрациите е измерена во согласност со стандардни методи за испитување и може да се користи за споредување алати.

НАПОМЕНА: Вкупната вредност(и) на номиналната јачина на вибрациите може да се користи и како прелиминарна процена за изложеност.

▲ ПРЕДУПРЕДУВАЊЕ: Јачината на вибрациите при фактичкото користење на алатот може да се разликува од номиналната вредност(и), зависно од начинот на којшто се користи алатот, особено од тоа како вид работен материјал се обработува.

▲ ПРЕДУПРЕДУВАЊЕ: Погрижете се да ги утврдите безбедносните мерки за заштита на лицето кое ракува со алатот врз основа на процена на изложеноста при фактичките услови на употреба (земајќи ги предвид сите делови на работниот циклус, како периодите кога електричниот алат е исклучен и кога работи во празен од, не само кога е активен).

Декларација за сообразност од ЕУ

Само за земјите во Европа

Декларацијата за сообразност од ЕУ е вклучена во Додаток А од упатствата за корисникот.

БЕЗБЕДНОСНИ ПРЕДУПРЕДУВАЊА

Општи упатства за безбедност за електричните алати

▲ ПРЕДУПРЕДУВАЊЕ: Прочитајте ги сите безбедносни предупредувања, упатства, илустрации и спецификации дадени со електричниот алат. Ако не се почитуваат сите упатства наведени подолу, може да дојде до струен удар, пожар и/или сериозни повреди.

Чувајте ги сите предупредувања и упатства за да може повторно да ги прочитате.

Под терминот „електричен алат“ во предупредувањата се мисли на вашиот електричен алат кој работи на струја (со кабел) или на батерии (безжично).

Безбедносни предупредувања за безжична шрафцигер-дупчалка

Безбедносни упатства за сите работи

1. **Држете го алатот за изолираните држачи кога вршите работи каде што додатокот за сечење или спојките може да дојдат во допир со скриени жици.** Додатокот за сечење или спојките што ќе допрат жица под напон може да ја пренесат струјата до металните делови на алатот и да предизвикаат струен удар кај лицето што ракува со алатот.
2. **Бидете сигурни дека секогаш стоите на цврста подлога.** Уверете се дека под Вас нема никој кога го користите алатот на високи места.
3. **Цврсто држете го алатот.**
4. **Не допирајте ги вртливите делови.**
5. **Не оставајте го алатот вклучен.** Работете со алатот само кога го држите в раце.
6. **Не допирајте ја бургијата или работниот материјал или струготините веднаш по работата; тие може да бидат многу жешки и да ви ја изгорат кожата.**
7. **Некои материјали содржат хемикалии што можат да бидат отровни.** Избегнувајте вдишување на прашината и избегнувајте контакт на прашината со кожата. Следете ги упатствата од производителот на материјалот.
8. **Ако бургијата не може да се олабави дури и ако сте ги отвориле стегите, користете клешти за да ја извадите.** Во таков случај, вадењето на бургијата со рака може да резултира со повреда од нејзиниот остар раб.
9. **Внимавајте да нема електрични кабли, цевки за вода, цевки за плин итн. што може да предизвикаат опасност доколку се оштетат со употребата на алатот.**

Безбедносни упатства кога се користат долги бургии за дупчење

1. **Не работете со брзина поголема од максималната работна брзина на бургијата за дупчење.** На поголеми брзини бургијата веројатно ќе се свитка ако се дозволи да се врти слободно без допирање на работниот материјал, што ќе резултира со телесна повреда.
2. **Секогаш започнете со дупчење на мала брзина и со врвот на бургијата во допир со работниот материјал.** На поголеми брзини бургијата веројатно ќе се свитка ако се дозволи да се врти слободно без допирање на работниот материјал, што ќе резултира со телесна повреда.
3. **Притискајте само во директна линија со бургијата и не притискајте прекумерно.** Бургиите може да се скршат или да предизвикаат губење на контролата, што ќе резултира со телесна повреда.

ЧУВАЈТЕ ГО УПАТСТВОТО.

▲ПРЕДУПРЕДУВАЊЕ: НЕ ДОЗВОЛУВАЈТЕ удобноста или познавањето на производот (стекнати со подолга употреба) да ве наведат да не се придржувате строго до безбедносните правила за овој производ. ЗЛОУПОТРЕБАТА или непочитувањето на безбедносните правила наведени во ова упатство може да предизвикаат тешка телесна повреда.

Важни безбедносни упатства за касетата за батеријата

1. Пред користење на касетата за батеријата, прочитајте ги сите упатства и ознаки за претпазливост на (1) полначот за батеријата, (2) батеријата и (3) производот што ја користи батеријата.
2. Не расклопувајте ја, ниту експериментирајте со касетата за батеријата. Тоа може да резултира со оган, прекумерна топлина или експлозија.
3. Ако оперативното времето станало прекумерно кратко, престанете веднаш со работа. Тоа може да резултира со ризик од прегревање, можни изгореници, па дури и експлозија.
4. Ако електролит навлезе во вашите очи, измијте ги со чиста вода и побарајте медицинска нега веднаш. Тоа може да резултира со губење на вашиот вид.
5. Не предизвикувајте спој на касетата за батеријата.
 - (1) Не допирајте ги контактите со никаков проводлив материјал.
 - (2) Избегнувајте да ја чувате касетата за батерија во сад со други метални предмети како што се шајки, монети и сл.
 - (3) На изложувајте ја касетата за батеријата на вода или дожд. Краткиот спој на батеријата може да предизвика голем проток на електрична енергија, прегревање, можни изгореници, па дури и пад на напојувањето.
6. Не складирајте и не користете ги алатот и касетата за батеријата на места каде што температурата може да достигне или надминува 50 °C (122 °F).
7. Не палете ја касетата за батерија дури и кога е многу оштетена или целосно потрошена. Касетата за батеријата може да експлодира ако се стави во оган.
8. Не заковувајте ја, сечете ја, фрлајте ја, испуштајте ја касетата за батерија, ниту удирајте ја од тврд предмет касетата за батеријата. Таквото однесување може да резултира со оган, прекумерна топлина или експлозија.
9. Не користете оштетена батерија.

10. Содржаните батерии со литиумови јони се подложни на условите во Правилата за опасни предмети.

За комерцијален транспорт на пр. од трети лица и посредници, мора да се следат посебните услови на пакувањата или ознаките. При подготовка на предметот кој треба да се испрати, консултирајте се со експерт за опасни материјали. Исто така, следете ги потенцијално деталните национални правила.

Залепете ги со леплива лента или маскирајте ги отворените контакти, а батеријата спакувајте ја, така што нема да се движи слободно во пакувањето.
11. Кога ја фрлате во отпад касетата за батеријата, извадете ја од алатот и фрлете ја на безбедно место. Почитувајте ги локалните законски прописи што се однесуваат на фрлање во отпад на батеријата.
12. Користете ги батериите само со производите назначени од Makita. Монтирањето батерии на неусогласените производи може да резултира со пожар, прекумерна топлина, експлозија или истекување на електролитот.
13. Доколку алатот не се користи подолг временски период, батеријата мора да се извади од алатот.
14. Пред и по употребата, касетата за батеријата може да прими топлина што може да предизвика изгореници или изгореници од ниска температура. Внимавајте како ракувате со жешките касети за батерии.
15. Не допирајте го терминалот на алатот непосредно по употребата бидејќи може да се загрее доволно за да предизвика изгореници.
16. Не дозволувајте деланки, прав или земја да се заглават во терминалите, отворите и жлебовите на касетата за батерија. Тоа може да предизвика греење, запалување, пукање и дефект на алатот или касетата за батерија, што ќе резултира со изгореници или телесна повреда.
17. Освен ако алатката не поддржува употреба на електричните далноводи со висок напон во близина, не користете ја касетата за батерија во близина на електричните далноводи со висок напон. Тоа може да резултира со дефект или пад на напојувањето на алатот или касетата за батерија.
18. Држете ја батеријата подалеку од деца.

ЧУВАЈТЕ ГО УПАТСТВОТО.

▲ВНИМАНИЕ: Користете само оригинални батерии на Makita. Користењето неоригинални батерии на Makita или батерии што се изменети може да резултира со распакување на батеријата, предизвикувајќи пожар, телесна повреда и оштетување. Тоа исто така ќе ја поништи гаранцијата на Makita за алатот и полначот на Makita.

Совети за одржување максимален работен век на батеријата

1. Заменете ја касетата за батеријата пред целосно да се испразни. Секогаш запирајте ја работата со алатот и заменете ја касетата за батеријата кога ќе забележите дека алатот дава помала моќност.
2. Никогаш немојте да полните целосно полна касета за батерија. Прекумерното полнење го скратува работниот век на батеријата.
3. Полнете ја касетата за батеријата на собна температура од 10°C - 40°C. Дозволете загреаната касета за батерија да се олади пред да ја ставите на полнење.
4. Кога не ја користите касетата за батерија, извадете ја алатот или полначот.
5. Полнете ја касетата за батеријата доколку не ја користите подолго време (повеќе од шест месеци).

ОПИС НА ФУНКЦИИТЕ

▲ ВНИМАНИЕ: Пред секое нагодување или проверка на алатот, проверувајте дали е исклучен и батеријата е извадена.

Монтирање или отстранување на касетата за батеријата

▲ ВНИМАНИЕ: Секогаш исклучувајте го алатот пред ставањето или вадењето на касетата за батеријата.

▲ ВНИМАНИЕ: Држете ги алатот и касетата за батеријата цврсто кога ја монтирате или вадите касетата за батеријата. Ако не ги држите цврсто алатот и касетата за батеријата, тие може да се лизнат од вашите раце и да дојде до нивно оштетување, како и до телесна повреда.

► **Сл.1:** 1. Црвен индикатор 2. Копче 3. Касета за батерија

За да ја извадите касетата за батеријата, повлечете ја од алатот додека го лизгате копчето на предната страна на касетата.

За монтирање на касетата за батерија, порамнете го јазичето на касетата за батерија со жлебот во куќиштето и лизнете го во место. Вметнете ја докрај додека не се блокира во место при што ќе се слушне звук. Ако можете да го видите црвениот индикатор како што е прикажано на сликата, не е целосно блокирана во место.

▲ ВНИМАНИЕ: Секогаш монтирајте ја касетата за батеријата целосно додека црвениот индикатор не се изгасне. Во спротивно, може ненадејно да испадне од алатот предизвикувајќи ви повреда вам или на некој друг околу вас.

▲ ВНИМАНИЕ: Немојте да ја монтирате касетата за батеријата на сила. Ако касетата не може да се лизне лесно, тоа значи дека не е поставена правилно.

Укажување на преостанатиот капацитет на батеријата

Само за батерии со индикатор

► **Сл.2:** 1. Индикаторски ламбички 2. Копче за проверка

Притиснете го копчето за проверка за касетата за батеријата за укажување на преостанатиот капацитет на батеријата. Индикаторските ламбички светнуваат неколку секунди.

Индикаторски ламбички			Преостанат капацитет
 Запалено	 Исклучено	 Трепка	
			75% до 100%
			50% до 75%
			25% до 50%
			0% до 25%
			Наполнете ја батеријата.
 			Батеријата можеби е неисправна.

НАПОМЕНА: Во зависност од условите на користење и амбиенталната температура, индикацијата може да се разликува во мала мера од реалниот капацитет.

НАПОМЕНА: Првата (најлево) ламбичка на индикаторот ќе трепка кога работи системот за заштита на батеријата.

Систем за заштита на алатот/ батеријата

Алатот е опремен со систем за заштита на алатот/ батеријата. Овој систем автоматски го прекинува напојувањето за да го продолжи работниот век на алатот и на батеријата. Алатот автоматски ќе се исклучи за време на работењето ако тој или батеријата се најдат под еден од следниве услови:

Заштита од преоптоварување

Оваа заштита работи кога со алатот се ракува на начин што предизвикува тој да повлекува ненормално висока електрична енергија. Во таква ситуација, исклучете го алатот и запрете со примената што предизвикала негово преоптоварување. Потоа, повторно вклучете го алатот.

Заштита од прегревање

Оваа заштита работи кога алатот или батеријата се прегреани. Во оваа ситуација, оставете ги алатот и батеријата да се оладат пред повторно да го вклучите алатот.

Заштита од прекумерно празнење

Оваа заштита работи кога преостанатиот капацитет на батеријата ќе дојде на ниско ниво. Во оваа ситуација, извадете ја батеријата од алатот и наполнете ја.

Вклучување

► **Сл.3:** 1. Прекинувач

▲ВНИМАНИЕ: Пред да ја ставите батеријата во алатот, проверете го прекинувачот дали функционира правилно и дали се враќа во положбата „OFF“ кога ќе се отпушти.

За вклучување на алатот, едноставно повлечете го прекинувачот за стартување. Брзината на алатот се зголемува со зголемување на притисокот врз прекинувачот. Отпуштете го прекинувачот за да сопнете.

Прекинувач за обратна акција

► **Сл.4:** 1. Рачка на прекинувачот за обратна акција

▲ВНИМАНИЕ: Секогаш проверувајте ја насоката на ротација пред работата.

▲ВНИМАНИЕ: Користете го прекинувачот за обратна акција само откако алатот целосно ќе запре. Променувањето на насоката на ротација пред алатот целосно да застане може да го оштети алатот.

▲ВНИМАНИЕ: Кога не работите со алатот, секогаш поставувајте го прекинувачот за обратна акција во неутрална положба.

Овој алат има прекинувач за обратна акција за променување на насоката на ротација. Отпуштете го прекинувачот за обратна акција од страна А за ротација во насока на стрелките на часовникот или од страна В за ротација во насока спротивна од стрелките на часовникот.

Кога рачката на прекинувачот за обратна акција е во неутрална положба, прекинувачот за вклучување не може да се повлече.

Промена на брзина

► **Сл.5:** 1. Рачка за промена на брзина

▲ВНИМАНИЕ: Секогаш поставувајте го лизгачот за промена на брзината целосно во соодветната положба. Ако ракувате со алатот со лизгачот за промена на брзината поставен во меѓуположба помеѓу страна „1“ и страна „2“, алатот може да се оштети.

▲ВНИМАНИЕ: Не користете го лизгачот за промена на брзината додека алатот работи. Алатот може да се оштети.


Положба на рачката за прилагодување на брзината	Брзина	Вртежен момент	Соодветна работа
1	Ниско	Високо	Работа на тешко оптоварување
2	Високо	Ниско	Работа на лесно оптоварување


За да ја промените брзината, прво исклучете го алатот. Изберете ја страната „2“ за висока брзина или „1“ за ниска брзина, но со висок вртежен момент. Осигурете се дека лизгачот за промена на брзината е во правилна положба пред работата.

Ако брзината на алатот нагло опаѓа за време на работа со „2“, свртете ја рачката на „1“ и рестартирајте ја операцијата.

Нагодување на вртежниот момент

► **Сл.6:** 1. Прстен за нагодување 2. Градација 3. Стрелка

Вртежниот момент на затегнување може да се постави на 17 нивоа со свртување на прстенот за нагодување. Порамнете ги градациите со стрелката на телото од алатот. На 1 се добива минимален, а на ознаката  максимален вртежен момент на затегнување.

Спојницата ќе паѓа на разни вртежни моменти кога е поставена на број од 1 до 16. Кога ќе се постави на ознаката , квачилото не работи.

Пред да работите, ставете пробен шраф во материјалот или парче дупликаат материјал за да определите кој вртежен момент одговара за која примена.

СОСТАВУВАЊЕ

▲ВНИМАНИЕ: Пред секое дотерување или проверка на алатот, секогаш проверувајте дали е исклучен и батеријата е извадена.

Монтирање или отстранување на бургијата за одвртување/дупчење

► **Сл.7:** 1. Ракав

Свртете го ракавот налево за да ги отворите стегите на главата. Поставете ја бургијата за одвртување/дупчење во клинот колку што може да оди. Свртете го ракавот во насока на стрелките на часовникот за да ја стегнете главата. За да ја извадите бургијата за одвртување/дупчење, свртете го ракавот во насока спротивна на стрелките на часовникот.

Монтирање на куката

Опционален прибор

▲ ПРЕДУПРЕДУВАЊЕ: Користете ги деловите за закачување/монтирање само за нивните предвидени намени, на пр., закачување на алатот на ремен за алат помеѓу работите и работните интервали.

▲ ПРЕДУПРЕДУВАЊЕ: Внимавајте да не ја преоптоварите куката, бидејќи преголемата сила или неправилното преоптоварување може да предизвика штети на алатот, што ќе резултира со телесна повреда.

▲ ВНИМАНИЕ: Кога ја монтирате куката, секогаш цврсто затегнете ја со шрафот. Ако не е затегната, куката може да испадне од алатот и да предизвика телесна повреда.

▲ ВНИМАНИЕ: Осигурете се дека сте го закачиле алатот пред да го отпуштите држењето. Недоволно или небалансирано закачување може да предизвика паѓање и може да се повредите.

► Сл.8: 1. Жлеб 2. Кука 3. Завртка

Куката е практична за привремено закачување на алатот. Може да се монтира од двете страни на алатот. За да ја поставите куката, вметнете ја во жлебот на кукиштето на алатот од која било страна и потоа зацврстете ја со завртка. За да ја отстраните, олабавете ја завртката и извадете ја.

Користење на отворот

▲ ПРЕДУПРЕДУВАЊЕ: Никогаш не користете го отворот за закачување за непредвидена намена, на пример, прицврстување на алатот на високо место. Поднесување стрес во тешко оптоварен отвор може да предизвика оштетувања на отворот, што ќе резултира со повреди на вас или луѓето околу или под вас.

► Сл.9: 1. Отвор за закачување

Користете го отворот за закачување во долниот заден дел од алатот за да го закачите алатот на сид со висечки кабел или слични конци.

РАБОТЕЊЕ

▲ ВНИМАНИЕ: Секогаш вметнувајте ја касетата со батерији до крај додека не се блокира во место. Ако можете да го видите црвениот индикатор на горната страна од копчето, тоа значи дека не е целосно блокирана во место. Вметнете ја целосно додека не се прекрие црвениот индикатор. Во спротивно, може ненадејно да испадне од алатот предизвикувајќи ви повреда вам или на некој друг околу вас.

▲ ВНИМАНИЕ: Кога брзината нагло ќе опадне, намалете ја оптовареноста или запрете го алатот за да избегнете негово оштетување.

Држете го алатот цврсто со едната рака за дршката и другата рака на долниот дел од батеријата за контролирање на вртливото дејство.

► Сл.10

Одвртување/завртување


▲ ВНИМАНИЕ: Поставете го прстенот за нагудување на соодветното ниво на вртежен момент за вашата работа.

▲ ВНИМАНИЕ: Осигурете се дека бургијата за одвртување е вметната правилно во главата за одвртување/завртување, во спротивно завртката и/или бургијата за одвртување може да се оштетат.

Поставете го врвот на бургијата за одвртување во главата на завртката и применете притисок врз алатот. Полека стартувајте го алатот и постепено зголемувајте ја брзината. Отпуштете го прекинувачот за стартување штом завртката навлезе во материјалот.

НАПОМЕНА: Кога завртувате завртка за дрво, претходно дупнете почетна дупка со дијаметар 2/3 од оној на завртката. Тоа ќе го олесни завртувањето и ќе спречи пукање на работниот материјал.

Дупчење

Прво, свртете го прстенот за нагудување, така што стрелката ќе покажува кон ознаката . Потоа, продолжете на следниот начин.

Дупчење во дрво

Кога дупчите во дрво, најдобрите резултати се добиваат со бургии за дрво опремени со водилка. Водилката го олеснува дупчењето со тоа што ја вовлекува бургијата за дупчење во работниот материјал.

Дупчење во метал

За да спречите лизгање на бургијата за дупчење кога започнувате со дупка, направете вдлабнување со шило и чекан на местото каде што сакате да дупчите. Поставете го врвот од бургијата за дупчење во продупченото место и започнете со дупчење. Кога дупчите во метал, користете средство за подмачкување при сечење. Исклучок од тоа се железо и месинг кои треба да се дупчат на суво.

⚠ВНИМАНИЕ: Притискањето силно врз алатот нема да го забрза дупчењето. Всушност, овој прекумерен притисок само ќе го оштети врвот на бургијата за дупчење, ќе ги намали перформансите на алатот и ќе го скрати неговиот работен век.

⚠ВНИМАНИЕ: Цврсто држете го алатот и внимателно напредувајте кога бургијата за дупчење почнува да навлегува во материјалот. Доаѓа до јака сила која делува врз алатот/бургијата за дупчење при дупнувањето на дупката.

⚠ВНИМАНИЕ: Заглавената бургија за дупчење може лесно да се извади со поставување на прекинувачот за обратна акција на обратна ротација за да се повлече назад. Сепак, алатот може да отскокне наназад нагло ако не го држите доволно цврсто.

⚠ВНИМАНИЕ: Секогаш прицврстувајте ги работните материјали на менгеме или сличен уред за прицврстување.

⚠ВНИМАНИЕ: Ако алатот работи континуирано додека батеријата не се испразни, оставете го да се одмори 15 минути пред да продолжите со свежа батерија.

ОДРЖУВАЊЕ

⚠ВНИМАНИЕ: Пред секоја проверка или одржување, секогаш проверувајте дали алатот е исклучен и касетата за батеријата е извадена.

ЗАБЕЛЕШКА: За чистење, не користете нафта, бензин, разредувач, алкохол или слично. Тие средства ја вадат бојата и може да предизвикаат деформации или пукнатини.

За да се одржи БЕЗБЕДНОСТА и СИГУРНОСТА на производот, поправките, проверките и замената на јаглородните четки, како и сите други одржувања и дотерувања треба да се вршат во овластени сервисни центри на Makita или во фабрички сервисни центри, секогаш со резервни делови од Makita.

ОПЦИОНАЛЕН ПРИБОР

⚠ВНИМАНИЕ: Овој прибор или додатоци се препорачуваат за користење со алатот од Makita дефиниран во упатството. Со користење друг прибор или додатоци може да се изложите на ризик од телесни повреди. Користете ги приборот и додатоците само за нивната назначена намена.

Ако ви треба помош за повеќе детали за приборот, прашајте во локалниот сервисен центар на Makita.

- Бургии за дупчење
- Бургии за одвртување
- Кука
- Оригинална батерија и полнач на Makita
- Автоматски адаптер за освежување
- Пластичен куфер за носење

НАПОМЕНА: Некои ставки на листата може да се вклучени со алатот како стандарден прибор. Тие може да се разликуваат од држава до држава.

ТЕХНИЧКИ ПОДАЦИ

Модел:		DDF343	DDF453
Капацитет бушења	Челик	10 мм	13 мм
	Дрво	25 мм	36 мм
Капацитет затезања	Завртањ за дрво	5,1 мм x 63 мм	6 мм x 75 мм
	Машински завртањ	М6	
Брзина без оптерећења	Велика (2)	0 – 1.300 мин ⁻¹	
	Мала (1)	0 – 400 мин ⁻¹	
Укупна дужина		192 мм	214 мм
Номинални напон		DC 14,4 V	DC 18 V
Нето тежина		1,4 – 1,7 кг	1,7 – 2,0 кг

- На основу нашег непрестаног истраживања и развоја задржавамо право измена наведених техничких података без претходне најаве.
- Спецификације могу да се разликују у различитим земљама.
- Тежина може да се разликује у зависности од наставка, укључујући и уложак батерије. Најлакша и најтежа комбинација, према процедури ЕПТА 01/2014, приказане су у табели.

Применљив уложак батерије и пуњач

Уложак батерије	DC 14,4 V модел	BL1415N / BL1430B / BL1440 / BL1460B
	DC 18 V модел	BL1815N / BL1820B / BL1830B / BL1840B / BL1850B / BL1860B
Пуњач	DC18RC / DC18RD / DC18RE / DC18SD / DC18SE / DC18SF / DC18SH / DC18WC	

- Неки горенаведени улошци батерија и пуњачи можда неће бити доступни у зависности од места становања.

▲УПОЗОРЕЊЕ: Користите само горенаведене улошке батерије и пуњаче. Коришћење других уложака батерије и пуњача може узроковати повреде и/или пожар.

Намена

Алат је намењен за бушење и увртање завртања у дрво, метал и пластику.

Бука

Типичан А-пондерисани ниво буке одређен је према стандарду EN62841-2-1:

Модел DDF343

Ниво звучног притиска (L_{pA}): 70 dB (A) или мање
Несигурност (K): 3 dB (A)

Ниво буке током рада може да премаши 80 dB (A).

Модел DDF453

Ниво звучног притиска (L_{pA}): 72 dB (A)
Несигурност (K): 3 dB (A)

Ниво буке током рада може да премаши 80 dB (A).

НАПОМЕНА: Декларисане вредности емисије буке су измерене према стандардизованом мерном поступку и могу се користити за упоређивање алата.

НАПОМЕНА: Декларисана вредност емисије буке се такође може користити за прелиминарну процену изложености.

▲УПОЗОРЕЊЕ: Носите заштитне слушалице.

▲УПОЗОРЕЊЕ: Емисије буке током стварне примене електричног алата могу се разликовати од декларисане вредности у зависности од начина на који се користи алат, а посебно која врста предмета се обрађује.

▲УПОЗОРЕЊЕ: Уверите се да сте идентификовали безбедносне мере за заштиту руковаоца које су засноване на процени изложености у стварним условима употребе (узимајући у обзир све делове радног циклуса, као што је време рада уређаја, али и време када је алат искључен и када ради у празном ходу).

Вибрације

Укупна вредност вибрација (векторски збир по три осе) одређена је према стандарду EN62841-2-1:
Режим рада: бушење метала
Вредност емисије вибрација ($a_{h,D}$): 2,5 м/с² или мања
Несигурност (K): 1,5 м/с²

НАПОМЕНА: Декларисане укупне вредности вибрација су измерене према стандардизованом мерном поступку и могу се користити за упоређивање алата.

НАПОМЕНА: Декларисане укупне вредности вибрација се такође могу користити за прелиминарну процену изложености.

▲УПОЗОРЕЊЕ: Вредност емисије вибрација током стварне примене електричног алата може се разликовати од декларисане вредности у зависности од начина на који се користи алат, а посебно која врста предмета се обрађује.

▲УПОЗОРЕЊЕ: Уверите се да сте идентификовали безбедносне мере за заштиту руковаоца које су засноване на процени изложености у стварним условима употребе (узимајући у обзир све делове радног циклуса, као што је време рада уређаја, али и време када је алат искључен и када ради у празном ходу).

ЕЗ декларација о усаглашености

Само за европске земље

ЕЗ декларација о усаглашености део је Додатка А у овом приручнику са упутствима.

БЕЗБЕДНОСНА УПОЗОРЕЊА

Општа безбедносна упозорења за електричне алате

▲УПОЗОРЕЊЕ: Прочитајте сва безбедносна упозорења, упутства, илустрације и спецификације које су испоручене уз овај електрични алат. Непοштовање свих доле наведених безбедносних упутстава може изазвати електрични удар, пожар и/или озбиљну повреду.

Сачувајте сва упозорења и упутства за будуће потребе.

Термин „електрични алат“ у упозорењима односи се на електрични алат који се напаја из електричне мреже (каблом) или батерије (без кабла).

Безбедносна упозорења за бежичну бушилицу

Безбедносна упутства за све операције

1. Електрични алат држите за изоловане рукохвате када обављате радове при којима постоји могућност да резни прибор или причвршћивач додирне скривене водове. Резни прибор или причвршћивачи који додирну струјни вод могу да ставе под напон изложене металне делове електричног алата и изложе руковаоца струјном удару.

2. Побрините се да увек имате чврст ослонац испод ногу. Уверите се да никога нема испод вас ако алат користите на високим местима.
3. Чврсто држите алат.
4. Држите руке даље од ротирајућих делова.
5. Немојте да остављате укључен алат. Алат укључите само када га држите рукама.
6. Немојте да додирујете бургију, предмет обраде нити опилке одмах после завршетка рада јер могу да буду врло врући и можете да се опечете.
7. Неки материјали садрже хемикалије које могу да буду отровне. Будите опрезни да не би дошло до удисања прашине или контакта са кожом. Следите безбедносне податке добављача материјала.
8. Ако бургију није могуће олабавити чак и ако сте отворили чељусти, извуците је клештима. Извлачење бургије рукама у оваквим ситуацијама може довести до повреде због њених оштрих ивица.
9. Уверите се да нема електричних каблова, водоводних цеви, гасних цеви итд. који могу да изазову опасност ако се оштете током коришћења алата.

Безбедносна упутства за коришћење дугих бургија

1. Никада немојте да их користите на већој брзини од максималне наведене брзине бургије. При вишим брзинама наставак може да се савије ако се слободно окреће без додиривања предмета обраде, што може да доведе до повреде.
2. Обавезно почните да бушите при нижој брзини и тако да врх наставка додирује предмет обраде. При вишим брзинама наставак може да се савије ако се слободно окреће без додиривања предмета обраде, што може да доведе до повреде.
3. Примените притисак само у директној линији са наставком и немојте да примењујете прекомерни притисак. Наставци могу да се савију и тиме доведу до прелома или губитка контроле, што може да изазове повреду.

САЧУВАЈТЕ ОВО УПУТСТВО.

▲УПОЗОРЕЊЕ: НЕМОЈТЕ себи да дозволите да занемарите строга безбедносна правила која се односе на овај производ услед чињенице да сте производ добро упознали и стекли рутину у руковању њиме (услед честог коришћења). НЕНАМЕНСКА УПОТРЕБА или непоштовање безбедносних правила наведених у овом упутству могу довести до тешких телесних повреда.

Важна безбедносна упутства која се односе на уложак батерије

1. Пре употребе уложка батерије, прочитајте сва упутства и безбедносне ознаке на (1) пуњачу батерије, (2) батерији и (3) производу који користи батерију.
2. Не растављајте и не модификујте уложак батерије. Тиме можете да изазовете пожар, прекомерно загревање или експлозију.
3. Ако се време рада знатно скратило, одмах престаните са коришћењем. То може да доведе до ризика од прегревања, могућих опекотина, па чак и експлозије.
4. Ако електролит доспе у очи, исперите их чистом водом и одмах затражите помоћ лекара. То може да доведе до губитка вида.
5. Немојте да изазивате кратак спој уложка батерије:
 - (1) Немојте додиривати прикључке било којим проводним материјалом.
 - (2) Избегавајте складиштење уложка батерије у кутији са другим металним предметима као што ексери, новчићи итд.
 - (3) Немојте да излагате уложак батерије води или киши.

Кратак спој батерије може да доведе до великог протока струје, прегревања, могућих опекотина, па чак и прегоривања.

6. Немојте да складиштите и користите алат и уложак батерије на местима где температура може да достигне или премаше 50 °C (122 °F).
7. Немојте да палите уложак батерије чак ни када је озбиљно оштећен или потпуно похабан. Уложак батерије може да експлодира у ватри.
8. Немојте да закивате, сечете, ломите, бацате или испуштате уложак батерије, или да њиме ударате по чврстој површини. На тај начин можете да изазовете пожар, прекомерно загревање или експлозију.
9. Немојте да користите оштећену батерију.
10. Садржане литијум-јонске батерије подлежу Закону о превозу опасних материја. Приликом комерцијалног превоза, нпр. од стране трећих лица и превозника, мора се обратити посебна пажња на специјалне захтеве паковања и обележавања. Приликом припреме материјала за превоз, потребно је саветовати се са стручњаком за опасне материје. Такође обратите пажњу на евентуалне даље националне прописе. Омотајте траком или прекријте отворене контакте и запакујте батерију тако да се не може померати унутар паковања.
11. Када одлагате уложак батерије на отпад, извадите га из алата и одложите на безбедно место. Придржавајте се локалних прописа у вези са одлагањем батерије.

12. Батерије користите само са производима које је навела компанија Makita. Постављање батерије на производе који нису усклађени може да доведе до пожара, прекомерне топлоте, експлозије или цурења електролита.
13. Ако се алат не користи током дужег периода, батерија мора да се извади из алата.
14. Током и након коришћења, уложак батерије може да акумулира толико топлоте да то може довести до опекотина, уобичајених и нискотемпературних. Пажљиво рукујте врућим улошцима батерије.
15. Не додирујте контакте алата одмах након коришћења јер су можда толико врући да могу да изазову опекотине.
16. Водите рачуна да се струготина, прашина или земља не заглаве у контактима, рупицама и жлебовима уложка батерије. То може проузроковати загревање, запаљивање, пуцање и неисправност алата или уложка батерије, што може да доведе до опекотина или телесних повреда.
17. Осим ако алат то не подржава, немојте да користите уложак батерије близу високонапонских разводних линија електричне струје. У супротном може доћи до квара или прегоривања алата или уложка батерије.
18. Држите батерију ван домања деце.

САЧУВАЈТЕ ОВО УПУТСТВО.

▲ПАЖЊА: Користите само оригиналне Makita батерије. Коришћење Makita батерија које нису оригиналне или батерија које су измењене може да доведе до пуцања батерије, које може да изазове пожар, телесне повреде или штету. То ће такође поништити гаранцију компаније Makita за Makita алат и пуњач.

Савети за максимално трајање батерије

1. Напуните уложак батерије пре него што се потпуно испразни. Сваки пут прекините рад са алатом и напуните уложак батерије када приметите да је снага алата слабија.
2. Никада немојте да поново пуните потпуно напуњени уложак батерије. Препуњавање скраћује радни век батерије.
3. Пуните уложак батерије на собној температури између 10°C и 40°C (између 50°F и 104°F). Сачекајте да се врући уложак батерије охлади пре пуњења.
4. Када не користите уложак батерије, извадите га из алата или пуњача.
5. Напуните уложак батерије ако га нећете користити дуже време (више од шест месеци).

ОПИС НАЧИНА ФУНКЦИОНИСАЊА

⚠ ПАЖЊА: Пре подешавања или провере функција алата увек проверите да ли је алат искључен и да ли је уложак батерије уклоњен.

Постављање и уклањање уложка батерије

⚠ ПАЖЊА: Увек искључите алат пре постављања или уклањања уложка батерије.

⚠ ПАЖЊА: Држите чврсто алат и уложак батерије када постављате или уклањате уложак батерије. Ако алат и уложак батерије не будете држали чврсто, могу вам исклизнути из руку, оштетити се при паду и повредити вас.

► **Слика1:** 1. Црвени индикатор 2. Дугме 3. Уложак батерије

Да бисте уклонили уложак батерије, клизањем га извуците из алата док клизањем померате дугме на предњој страни уложка.

Да бисте поставили уложак батерије, поравнајте језичак на њему са жлебом на кућишту и гурните га на место. Гурните га до краја тако да легне на своје место и чује се тихо шкљоцање. Ако видите црвени индикатор као што је приказано на слици, уложак батерије није потпуно закључан.

⚠ ПАЖЊА: Увек до краја гурните уложак батерије тако да се црвени индикатор не види. У супротном, он случајно може испасти из алата и повредити вас или неку особу у вашој близини.

⚠ ПАЖЊА: Немојте на силу да постављате уложак батерије. Ако уложак не можете лако да гурнете, то значи да га не постављате исправно.

Приказ преосталог капацитета батерије

Само за уложке батерије са индикатором

► **Слика2:** 1. Индикаторске лампиче 2. Дугме за проверу

Притисните дугме за проверу на уложку батерије да бисте приказали преостали капацитет батерије. Индикаторске лампиче ће се укључити на неколико секунди.

Индикаторске лампиче			Преостали капацитет
Светли	Искључено	Трепће	
■	□	▧	
■	■	■	Од 75% до 100%
■	■	■	Од 50% до 75%
■	□	□	Од 25% до 50%
■	□	□	Од 0% до 25%
▧	□	□	Напуните батерију.

Индикаторске лампиче			Преостали капацитет
Светли	Искључено	Трепће	
■	□	▧	Могуће је да је батерија постала неисправна.
■	■	■	
□	□	■	

НАПОМЕНА: У зависности од услова коришћења и температуре околине, приказани капацитет може донекле да се разликује од стварног.

НАПОМЕНА: Прва (крајња лева) индикаторска лампича трепери када систем за заштиту батерије ради.

Систем за заштиту алата/батерије

Алат је опремљен системом за заштиту алата/ батерије. Овај систем аутоматски прекида напајање како би продужио век трајања алата и батерије. Алат ће се аутоматски зауставити током рада ако алат или батерија уђу у једно од следећих стања:

Заштита од преоптерећења

Ова заштита ради када се алатом рукује тако да вуче неуобичајено велику струју. У овој ситуацији, искључите алат и престаните са употребом која је довела до преоптерећења алата. Затим укључите алат да бисте га поново покренули.

Заштита од прегревања

Ова заштита ради када су алат или батерија прегрејани. У овом случају, пустите да се алат и батерија охладе пре поновног укључивања алата.

Заштита од превеликог пражњења

Ова заштита ради када се смањи преостали капацитет батерије. У том случају, уклоните батерију из алата и напуните је.

Функционисање прекидача

► **Слика3:** 1. Окидач прекидача

⚠ ПАЖЊА: Пре постављања уложка батерије у алат увек проверите да ли окидач прекидача ради правилно и да ли се након отпуштања враћа у положај „OFF“ (Искључено).

Да бисте активирали алат, једноставно притисните окидач прекидача. Брзину алата повећавате повећавањем притиска на окидач прекидача. Отпустите окидач прекидача да бисте зауставили алат.

Рад прекидача за окретање

► **Слика4:** 1. Полуга прекидача за окретање

▲ПАЖЊА: Увек проверите смер обртања пре рада.

▲ПАЖЊА: Користите прекидач за окретање тек након што се алат потпуно заустави. Промена смера обртања пре заустављања алата може оштетити алат.

▲ПАЖЊА: Када се алат не користи, увек поставите полуку прекидача за окретање у неутралан положај.

Овај алат има прекидач за окретање који служи за промену смера обртања. Притисните полуку прекидача за окретање са стране А за обртање у смеру кретања казальке на сату или са стране В за обртање у супротном смеру.

Када се полуга прекидача за окретање налази у неутралном положају, није могуће притиснути окидач прекидача.

Промена брзине

► **Слика5:** 1. Полуга за мењање брзине

▲ПАЖЊА: Полуку за мењање брзине увек потпуно поставите у исправан положај. Ако алат користите док је полуга за мењање брзине подешена између стране „1“ и „2“, алат се може оштетити.



▲ПАЖЊА: Немојте да користите полуку за мењање брзине док алат ради. Може доћи до оштећења алата.

Положај полуке за мењање брзине	Брзина	Обртни момент	Применљиве операције
1	Мала	Велики	Рад при великом оптерећењу
2	Велика	Мали	Рад при малом оптерећењу

Да бисте променили брзину, најпре искључите алат. Изаберите положај „2“ за велику брзину или положај „1“ за малу брзину, али велики обртни момент. Обавезно проверите да ли је полуга за мењање брзине постављена у правилан положај пре рада. Ако се брзина алата екстремно смањи током рада у положају „2“, пребаците полуку у положај „1“ и поново почните да радите.

Подешавање обртног момента затезања

► **Слика6:** 1. Прстен за подешавање 2. Подеоци 3. Стрелица

Обртни момент затезања може да се подеси у 17 нивоа окретањем прстена за подешавање. Поравнајте подеоке са стрелицом на телу алата. Минимални обртни момент затезања можете да добијете на подеоку 1, а максимални обртни момент са ознаком . Спојка ће проклизавати на различитим нивоима обртног момента када се постави на бројеве од 1 до 16. Спојка не ради на ознаци .

Пре употребе, заврните пробни завртањ у жељени материјал или други комад истог материјала да бисте одредили ниво обртног момента који је неопходан за одређену примену.

СКЛАПАЊЕ

▲ПАЖЊА: Пре обављања било каквог посла на алату увек проверите да ли је он искључен и да ли је уложак батерије уклоњен.

Постављање и уклањање уметка за завртање или бургије

► **Слика7:** 1. Наглавак

Окрените наглавак у смеру супротном кретању казальке на сату да бисте отворили чељусти стезне главе. Поставите уметак за завртање, односно бургију у стезну главу до краја. Окрените наглавак у смеру кретања казальке на сату да бисте притенули стезну главу. Да бисте уклонили уметак за завртање, односно бургију, окрените наглавак у смеру супротном кретању казальке на сату.

Постављање куке

Опциони додатни прибор

▲УПОЗОРЕЊЕ: Висеће делове/делове за постављање користите само за предвиђену намену, нпр. качење за каиш алата између послова и радних интервала.

▲УПОЗОРЕЊЕ: Пазите да не преоптеретите куку јер превелика сила или неправилно преоптерећење може да проузрокује оштећење алата што може довести до телесних повреда.

▲ПАЖЊА: Приликом постављања куке, увек је чврсто затегните помоћу завртња. У супротном кука може да испадне из алата и да изазове телесне повреде.

▲ПАЖЊА: Уверите се да сте безбедно окачили алат пре него што га пустите. Ако је алат недовољно или неуравнотежено закачен, то може довести до пада и телесних повреда.

► **Слика8:** 1. Жлеб 2. Кука 3. Завртањ

Кука је zgodna за привремено качење алата. Можете је поставити на било коју страну алата. Да бисте поставили куку, убаците је у жлеб на кућишту алата на било којој страни и причврстите је завртњем. Да бисте је уклонили, отпустите завртањ и извучите је.

Коришћење отвора

▲ УПОЗОРЕЊЕ: Никада немојте користити отвор за качење у сврхе које нису предвиђене, на пример, везивање алата на високом месту.

Оптерећење носача на отвору са великим оптерећењем може да проузрокује оштећење отвора, што може да доведе до повреде руковаоца или особа које се налазе око или испод њега.

► **Слика9:** 1. Отвор за качење

Помоћу отвора за качење на доњем задњем делу алата окачите алат на зид помоћу затезног канапа или сличних канапа.

РАД

▲ ПАЖЊА: Увек уметните уложак батерије до краја, тако да легне на своје место. Ако можете да учите црвени индикатор на горњој страни дугмета, то значи да уложак батерије није потпуно закључан. Убаците га у потпуности тако да се црвени индикатор не може видети. У супротном, он случајно може испати из алата и повредити вас или неку особу у вашој близини.

▲ ПАЖЊА: Ако брзина драстично опадне, смањите оптерећење или зауставите алат да бисте избегли његово оштећење.

Чврсто држите алат тако што ћете једну руку поставити на ручку, а другу са доње стране улошка батерије како бисте контролисали покрете увртања.

► **Слика10**

Завртање


▲ ПАЖЊА: Подесите прстен за подешавање на одговарајући ниво обртног момента.

▲ ПАЖЊА: Уверите се да је уметак за завртање постављен вертикално у главу завртња, јер у супротном завртањ и/или уметак за завртање могу да се оштете.

Поставите врх уметка за завртање у главу завртња и притисните алат. Покрените алат лагано, а затим постепено повећавајте брзину. Пустите окидач прекидача чим се спојница активира.

НАПОМЕНА: Када завршете завртањ за дрво, претходно избушите отвор за вођење ширине 2/3 пречника завртња. Тиме ћете олакшати завртање и спречити цепање предмета обраде.

Бушење

Најпре окрените прстен за подешавање тако да стрелица буде усмерена ка ознаци . Потом наставите на следећи начин.

Бушење дрвета

Приликом бушења дрвета, најбољи резултати се постижу бушилицама за дрво опремљеним завртњем за вођење. Завртањ за вођење олакшава бушење увлачењем бургије у предмет обраде.

Бушење метала

Да бисте спречили да бургија склизне на почетку бушења рупе, направите удубљење на месту бушења бушачем и чекићем. Поставите врх бургије у удубљење и започните бушење.

Користите мазиво за сечење када бушите метал. Изузетак представљају гвожђе и месинг, које треба бушити на суво.

▲ ПАЖЊА: Прекомерним притискањем алата нећете убрзати бушење. Штавише, прекомерно притискање само оштећује врх бургије, смањује учинак алата и скраћује његов радни век.

▲ ПАЖЊА: Држите алат чврсто и будите пажљиви у тренутку када бургија почне да пробија предмет обраде. У тренутку пробијања рупе, на алат/бургију делује огромна сила.

▲ ПАЖЊА: Заглављена бургија се може једноставно уклонити подешавањем прекидача за окретање на ротацију у супротном смеру ради вађења. Међутим, алат може одскочити нагло ако га не држите чврсто.

▲ ПАЖЊА: Увек причврстите предмете обраде стегом или сличним уређајем за причвршћивање.

▲ ПАЖЊА: Ако се алат користи без престанка док се уложак батерије не испразни, оставите га да се охлади 15 минута пре него што наставите рад са свежом батеријом.

ОДРЖАВАЊЕ

▲ ПАЖЊА: Пре него што почнете с прегледом или одржавањем алата, искључите алат и уклоните уложак батерије.

ОБАВЕШТЕЊЕ: Никад немојте да користите нафту, бензин, разређивач, алкохол и слична средства. Може доћи до губитка боје, деформације или оштећења.

За одржавање БЕЗБЕДНОСТИ и ПОУЗДАНОСТИ овог производа поправке, преглед и замену графитних четкица, као и сваки друго одржавање и подешавања треба обављати у овлашћеном сервису Makita, уз искључиву употребу оригиналних резервних делова Makita.

ОПЦИОНИ ПРИБОР

⚠ ПАЗЊА: Ова опрема и прибор су предвиђени за употребу са алатом Makita описаним у овом упутству за употребу.

Употреба друге опреме и прибора може да доведе до повреда. Користите делове прибора или опрему искључиво за предвиђену намену.

Да бисте добили виште детаља у вези са овим прибором, обратите се локалном сервисном центру компаније Makita.

- Бургије
- Умци за завртање
- Кука
- Makita оригинална батерија и пуњач
- Адаптер за аутоматско освежавање
- Пластична кутија за ношење

НАПОМЕНА: Поједине ставке на листи могу бити укључене у садржај паковања алата као стандардна опрема. Оне се могу разликовати од земље до земље.

SPECIFICAȚII

Model:		DDF343	DDF453
Capacități de găurire	Oțel	10 mm	13 mm
	Lemn	25 mm	36 mm
Capacități de strângere	Șurub pentru lemn	5,1 mm x 63 mm	6 mm x 75 mm
	Șurub mecanic	M6	
Turație în gol	Înaltă (2)	0 - 1.300 min ⁻¹	
	Redusă (1)	0 - 400 min ⁻¹	
Lungime totală		192 mm	214 mm
Tensiune nominală		14,4 V cc.	18 V cc.
Greutate netă		1,4 - 1,7 kg	1,7 - 2,0 kg

- Datorită programului nostru continuu de cercetare și dezvoltare, specificațiile pot fi modificate fără o notificare prealabilă.
- Specificațiile pot varia în funcție de țară.
- Greutatea poate diferi în funcție de accesoriu(ii), inclusiv cartușul acumulatorului. În tabel se prezintă combinația cea mai ușoară și cea mai grea, conform Procedurii EPTA 01/2014.

Cartușul acumulatorului și încărcătorul aplicabile

Cartușul acumulatorului	Model de 14,4 V c.c.	BL1415N / BL1430B / BL1440 / BL1460B
	Model de 18 V c.c.	BL1815N / BL1820B / BL1830B / BL1840B / BL1850B / BL1860B
Încărcător		DC18RC / DC18RD / DC18RE / DC18SD / DC18SE / DC18SF / DC18SH / DC18WC

- Este posibil ca unele cartușe ale acumulatorilor și încărcătoare menționate mai sus să nu fie disponibile în funcție de regiunea dvs. de reședință.

⚠️ AVERTIZARE: Utilizați numai cartușele de acumulator și încărcătoarele enumerate mai sus. Utilizarea oricărui altor cartușe de acumulator și încărcătoare poate duce la rănire și/sau incendiu.

Destinația de utilizare

Mașina este destinată găuririi și înșurubării în lemn, metal și plastic.

Zgomot

Nivelul de zgomot normal ponderat A determinat în conformitate cu EN62841-2-1:

Model DDF343

Nivel de presiune acustică (L_{pA}): 70 dB(A) sau mai puțin
Marjă de eroare (K): 3 dB(A)

Nivelul de zgomot în timpul funcționării poate depăși 80 dB (A).

Model DDF453

Nivel de presiune acustică (L_{pA}): 72 dB(A)
Marjă de eroare (K): 3 dB(A)

Nivelul de zgomot în timpul funcționării poate depăși 80 dB (A).

NOTĂ: Valoarea (valorile) totală(e) a (ale) emisiilor de zgomot declarate a(u) fost măsurată(e) în conformitate cu o metodă de test standard și poate (pot) fi utilizată(e) pentru compararea unei uneelte cu alta.

NOTĂ: Valoarea (valorile) totală(e) a (ale) emisiilor de zgomot declarate poate (pot) fi, de asemenea, utilizată(e) într-o evaluare preliminară a expunerii.

⚠️ AVERTIZARE: Purtați echipament de protecție pentru urechi.

⚠️ AVERTIZARE: Emisiile de zgomot în timpul utilizării efective a unelei electrice poate diferi de valoarea (valorile) nivelului declarat, în funcție de modul în care unealta este utilizată, în special ce fel de piesă este prelucrată.

⚠️ AVERTIZARE: Asigurați-vă că identificați măsurile de siguranță pentru a proteja operatorul, acestea fiind bazate pe o estimare a expunerii în condiții reale de utilizare (luând în considerare toate părțile ciclului de operare, precum timpii în care unealta a fost oprită, sau a funcționat în gol, pe lângă timpul de declanșare).

Vibrații

Valoarea totală a vibrațiilor (suma vectorilor tri-axiali) determinată conform EN62841-2-1:

Mod de lucru: găurirea metalului
Emisie de vibrații ($a_{h,D}$): 2,5 m/s² sau mai puțin
Marjă de eroare (K): 1,5 m/s²

NOTĂ: Valoarea (valorile) totală(e) a (ale) nivelului de vibrații declarat a (au) fost măsurată(e) în conformitate cu o metodă de test standard și poate (pot) fi utilizată(e) pentru compararea unei unelte cu alta.

NOTĂ: Valoarea (valorile) totală(e) a (ale) nivelului de vibrații declarat poate (pot) fi, de asemenea, utilizată(e) într-o evaluare preliminară a expunerii.

⚠️ AVERTIZARE: Nivelul de vibrații în timpul utilizării efective a unelei electrice poate diferi de valoarea (valorile) nivelului declarat, în funcție de modul în care unealta este utilizată, în special ce fel de piesă este prelucrată.

⚠️ AVERTIZARE: Asigurați-vă că identificați măsurile de siguranță pentru a proteja operatorul, acestea fiind bazate pe o estimare a expunerii în condiții reale de utilizare (luând în considerare toate părțile ciclului de operare, precum timpii în care unealta a fost oprită, sau a funcționat în gol, pe lângă timpul de declanșare).

Declarație de conformitate CE

Numai pentru țările europene

Declarația de conformitate CE este inclusă ca Anexa A în acest manual de instrucțiuni.

AVERTIZĂRI DE SIGURANȚĂ

Avertismente generale de siguranță pentru mașinile electrice

⚠️ AVERTIZARE: Citiți toate avertismentele privind siguranța, instrucțiunile, ilustrațiile și specificațiile furnizate cu această sculă electrică. Nerespectarea integrală a instrucțiunilor de mai jos poate cauza electrocutări, incendii și/sau vătămări corporale grave.

Păstrați toate avertismentele și instrucțiunile pentru consultări ulterioare.

Termenul „mașină electrică” din avertizări se referă la mașinile dumneavoastră electrice acționate de la rețea (prin cablu) sau cu acumulator (fără cablu).

Avertismente privind siguranța pentru mașina de găurit și înșurubat cu acumulator

Instrucțiuni privind siguranța pentru toate operațiunile

1. **Țineți mașina electrică de suprafețele de prindere izolate atunci când executați o operațiune în timpul căreia accesoriul de tăiere sau dispozitivele de fixare pot intra în contact cu cabluri ascunse.** Accesoriul de tăiere sau dispozitivele de fixare care intră în contact cu un cablu aflat sub tensiune pot pune sub tensiune componentele metalice neizolate ale mașinii electrice și pot supune operatorul la șoc electric.

2. **Păstrați-vă echilibrul. Asigurați-vă că nu se află nicio persoană dedesubt atunci când folosiți mașina la înălțime.**
3. **Țineți bine mașina.**
4. **Nu atingeți piesele în mișcare.**
5. **Nu lăsați mașina în funcțiune. Folosiți mașina numai când o țineți cu mâinile.**
6. **Nu atingeți pânza capul de burghiu, piesa de prelucrat sau așchile imediat după executarea lucrării; acestea pot fi extrem de fierbinți și pot provoca arsuri ale pielii.**
7. **Unele materiale conțin substanțe chimice care pot fi toxice. Aveți grijă să nu inhalați praful și evitați contactul cu pielea. Respectați instrucțiunile de siguranță ale furnizorului.**
8. **În cazul în care capul de burghiu nu poate fi slăbit cu toate că deschideți fălcile, utilizați un clește pentru a-l trage afară. Într-un astfel de caz, tragerea manuală a capului de burghiu poate duce la vătămare din cauza marginii ascuțite a acestuia.**
9. **Asigurați-vă că nu există cabluri electrice, conducte de apă, conducte de gaz etc., care ar putea provoca un pericol în cazul în care ar fi deteriorate prin folosirea mașinii.**

Instrucțiuni privind siguranța atunci când utilizați capete lungi de burghiu

1. **Nu utilizați mașina la o viteză mai mare decât viteza maximă specificată a capului de burghiu.** La viteze mai mari, capul de burghiu se poate îndoi dacă se rotește liber fără să intre în contact cu piesa de prelucrat, provocând accidentări.
2. **Începeți întotdeauna să găuriți la o viteză redusă și ținând vârful capului de burghiu în contact cu piesa de prelucrat.** La viteze mai mari, capul de burghiu se poate îndoi dacă se rotește liber fără să intre în contact cu piesa de prelucrat, provocând accidentări.
3. **Aplicați presiune numai pe direcția capului de burghiu și nu aplicați presiune excesivă.** Capetele se pot îndoi provocând ruperi sau pierderea controlului, ducând la accidentări.

PĂSTRAȚI ACESTE INSTRUCȚIUNI.

⚠️ AVERTIZARE: NU permiteți comodității și familiarizării cu produsul (obținute prin utilizare repetată) să înlocuiască respectarea strictă a normelor de securitate pentru acest produs. **FOLOSIREA INCORECTĂ** sau nerespectarea normelor de securitate din acest manual de instrucțiuni poate provoca vătămări corporale grave.

Instrucțiuni importante privind siguranța pentru cartușul acumulatorului

1. Înainte de a folosi cartușul acumulatorului, citiți toate instrucțiunile și atenționările de pe (1) încărcătorul acumulatorului, (2) acumulatorul și (3) produsul care folosește acumulatorul.
2. Nu dezamblați și nu interveniți asupra cartușului acumulatorului. Acest lucru poate cauza incendii, căldură excesivă sau explozii.
3. Dacă timpul de funcționare s-a redus excesiv, întrerupeți imediat funcționarea. Aceasta poate prezenta risc de supraîncălzire, posibile arsuri și chiar explozie.
4. Dacă electrolitul pătrunde în ochi, clătiți bine ochii cu apă curată și consultați imediat un medic. Există risc de orbire.
5. Nu scurtcircuitați cartușul acumulatorului:
 - (1) Nu atingeți bornele cu niciun material conductor.
 - (2) Evitați depozitarea cartușului acumulatorului la un loc cu alte obiecte metalice cum ar fi cuie, monede etc.
 - (3) Nu expuneți cartușul acumulatorului la apă sau ploaie.

Un scurtcircuit al acumulatorului poate provoca un flux puternic de curent electric, supraîncălzire, posibile arsuri și chiar defectarea mașinii.

6. Nu depozitați și nu utilizați mașina și cartușul acumulatorului în locuri în care temperatura poate atinge sau depăși 50 °C (122 °F).
7. Nu incinerati cartușul acumulatorului chiar dacă acesta este grav deteriorat sau complet uzat. Cartușul acumulatorului poate exploda în foc.
8. Nu introduceți cuie în cartușul acumulatorului, nu îl tăiați, striviți, aruncați sau scăpați și nu îl loviți cu un obiect dur. Astfel de acțiuni pot provoca incendii, căldură excesivă sau explozii.
9. Nu utilizați un acumulator deteriorat.
10. Acumulatorii Li-Ion încorporați se supun cerințelor Legislației privind substanțele periculoase.

Pentru transporturi comerciale, efectuate de exemplu de către părți terțe, expeditori, trebuie respectate cerințele speciale de ambalare și etichetare.

Pentru pregătirea articolului care urmează să fie expediat, este necesară consultarea unui expert în materiale periculoase. Vă rugăm să respectați, de asemenea, reglementările naționale, care pot fi mai detaliate.

Izolați sau acoperiți contactele deschise și împachetați acumulatorul în așa fel încât să nu se poată mișca în ambalaj.
11. Atunci când eliminați la deșeuri cartușul acumulatorului, scoateți-l din mașină și eliminați-l într-un loc sigur. Respectați normele naționale privind eliminarea la deșeuri a acumulatorului.

12. Utilizați acumuloarele numai cu produsele specificate de Makita. Instalarea acumulatorilor în produse neconforme poate cauza incendii, căldură excesivă, explozii sau scurgeri de electrolit.
13. Dacă mașina nu este utilizată o perioadă lungă de timp, acumulatorul trebuie scos din acesta.
14. În timpul utilizării și după aceea, cartușul acumulatorului se poate încălzi, ceea ce poate cauza arsuri sau arsuri la temperaturi scăzute. Fiți atenți la manipularea cartușelor de acumulator atunci când sunt fierbinți.
15. Nu atingeți borna mașinii imediat după utilizare, întrucât se poate încălzi foarte tare și poate provoca arsuri.
16. Nu lăsați să pătrundă așchii, praf sau pământ în borne, în orificii și în canelurile cartușului acumulatorului. Acest lucru poate provoca încălzirea, aprinderea, explozia și defectarea mașinii sau a cartușului acumulatorului, cauzând arsuri sau vătămări corporale.
17. Nu utilizați cartușul acumulatorului în apropierea liniilor electrice de înaltă tensiune, cu excepția cazului în care mașina suportă utilizarea în apropierea liniilor electrice de înaltă tensiune. Acest lucru poate duce la funcționarea necorespunzătoare sau la defectarea mașinii sau a cartușului acumulatorului.
18. Țineți acumulatorul la distanță de copii.

PĂSTRAȚI ACESTE INSTRUCȚIUNI.

ATENȚIE: Folosiți numai acumulatori Makita originali. Acumulatorii Makita care nu sunt originali și acumulatorii care au suferit modificări se pot aprinde, provocând incendii, leziuni corporale și daune. De asemenea, anulează garanția oferită de Makita pentru unele și încărcătorul Makita.

Sfaturi pentru obținerea unei durate maxime de exploatare a acumulatorului

1. Încărcați cartușul acumulatorului înainte de a se descărca complet. Întrerupeți întotdeauna funcționarea mașinii și încărcați cartușul acumulatorului când observați o scădere a puterii mașinii.
2. Nu reîncărcați niciodată un acumulator complet încărcat. Supraîncărcarea va scurta durata de exploatare a acumulatorului.
3. Încărcați cartușul acumulatorului la temperatura camerei, între 10 °C - 40 °C (50 °F - 104 °F). Lăsați un acumulator fierbinte să se răcească înainte de a-l încărca.
4. Atunci când nu utilizați cartușul acumulatorului, scoateți-l din mașină sau din încărcător.
5. Încărcați cartușul acumulatorului în cazul în care nu a fost utilizat pe o perioadă mai lungă (mai mult de șase luni).

DESCRIEREA FUNCȚIILOR

ATENȚIE: Asigurați-vă întotdeauna că mașina este oprită și cartușul acumulatorului este scos înainte de a ajusta sau verifica funcționarea mașinii.

Instalarea sau scoaterea cartușului acumulatorului

ATENȚIE: Opriti întotdeauna mașina înainte de montarea sau demontarea cartușului de acumulator.

ATENȚIE: Țineți ferm mașina și cartușul acumulatorului la montarea sau demontarea cartușului. În cazul în care nu țineți ferm mașina și cartușul de acumulator, acestea vă pot aluneca din mâini, rezultând defectarea mașinii și cartușului de acumulator, precum și în accidente personale.

► Fig.1: 1. Indicator roșu 2. Buton 3. Cartușul acumulatorului

Pentru a scoate cartușul acumulatorului, glisați-l din mașină în timp ce glisați butonul de pe partea frontală a cartușului.

Pentru a monta cartușul acumulatorului, aliniați limba de pe cartușul acumulatorului cu canalul din carcasă și introduceți-l în locaș. Introduceți-l complet, până când se înclichetează în locaș. Dacă vedeți indicatorul roșu, astfel cum se arată în imagine, acesta nu este blocat complet.

ATENȚIE: Instalați întotdeauna cartușul acumulatorului complet, până când indicatorul roșu nu mai este vizibil. În caz contrar, acesta poate cădea accidental din mașină provocând rănirea dumneavoastră sau a persoanelor din jur.

ATENȚIE: Nu forțați cartușul acumulatorului la montare. Dacă acesta nu glisează ușor, înseamnă că a fost introdus incorect.

Indicarea capacității rămase a acumulatorului

Numai pentru cartușe de acumulator cu indicator

► Fig.2: 1. Lămpi indicatoare 2. Buton de verificare

Apăsați butonul de verificare de pe cartușul acumulatorului, astfel încât să se indice capacitățile rămase ale acumulatorului. Lămpile indicatorului vor lumina timp de câteva secunde.

Lămpi indicatoare			Capacitate rămasă
Iluminat	Oprit	Iluminare intermitentă	
■ ■ ■ ■			între 75% și 100%
■ ■ ■ □			între 50% și 75%
■ ■ □ □			între 25% și 50%
■ □ □ □			între 0% și 25%
▬ □ □ □			Încărcați acumulatorul.
■ ■ □ □			Este posibil ca acumulatorul să fie defect.
□ □ ■ ■			

NOTĂ: În funcție de condițiile de utilizare și temperatura ambientală, indicația poate fi ușor diferită de capacitatea reală.

NOTĂ: Prima lampă indicatoare (extremitatea stângă) va lumina intermitent când sistemul de protecție a acumulatorului funcționează.

Sistem de protecție mașină/acumulator

Mașina este prevăzută cu un sistem de protecție mașină/acumulator. Acest sistem întrerupe automat alimentarea cu energie pentru a extinde durata de funcționare a mașinii și acumulatorului. Mașina se va opri automat în timpul funcționării dacă mașina sau acumulatorul se află într-una din situațiile următoare:

Protecție la suprasarcină

Acest sistem de protecție funcționează atunci când mașina este acționată într-o manieră care determină atragerea unui curent de o intensitate anormal de ridicată. În această situație, opriți mașina și întrerupeți aplicația care a dus la suprasolicitarea mașinii. Apoi, reporniți mașina.

Protecție la supraîncălzire

Acest sistem de protecție funcționează atunci când mașina sau acumulatorul se supraîncălzesc. În această situație, lăsați mașina și acumulatorul să se răcească înainte de a reporni mașina.

Protecție la supradescărcare

Acest sistem de protecție funcționează atunci când capacitatea rămasă a acumulatorului este scăzută. În această situație, scoateți acumulatorul din mașină și încărcați-l.

Acționarea întrerupătorului

► Fig.3: 1. Buton declanșator

ATENȚIE: Înainte de a introduce cartușul acumulatorului în mașină, verificați întotdeauna dacă butonul declanșator funcționează corect și revine în poziția „OFF” (oprit) când este eliberat.

Pentru a porni mașina, trageți de butonul declanșator. Viteza mașinii poate fi crescută prin creșterea forței de apăsare pe butonul declanșator. Eliberați butonul declanșator pentru a opri mașina.

Funcția inversorului

► Fig.4: 1. Pârghie de inversor

ATENȚIE: Verificați întotdeauna sensul de rotație înainte de utilizare.

ATENȚIE: Folosiți inversorul numai după ce mașina s-a oprit complet. Schimbarea sensului de rotație înainte de oprirea mașinii poate avaria mașina.

ATENȚIE: Atunci când nu folosiți mașina, deplasați întotdeauna pârghia inversorului în poziția neutră.

Această mașină dispune de un inversor pentru schimbarea sensului de rotație. Apăsăți pârghia inversorului în poziția A pentru rotire în sens orar sau în poziția B pentru rotire în sens antiorar. Când pârghia inversorului se află în poziție neutră, butonul declanșator nu poate fi apăsat.

Schimbarea vitezei

► Fig.5: 1. Pârghie de schimbare a vitezei

ATENȚIE: Deplasați întotdeauna complet pârghia de schimbare a vitezei în poziția corectă. Dacă folosiți mașina cu pârghia de schimbare a vitezei poziționată intermediar între poziția „1” și poziția „2”, mașina poate fi avariată.

ATENȚIE: Nu folosiți pârghia de schimbare a vitezei în timpul funcționării mașinii. Mașina poate fi avariată.

Poziția pârghiei de schimbare a vitezei	Viteză	Cuplu	Tip de operare aplicabil
1	Turație joasă	Turație înaltă	Operare la sarcină ridicată
2	Turație înaltă	Turație joasă	Operare la sarcină redusă

Pentru a schimba viteza, opriți mai întâi mașina. Selectați poziția „2” pentru viteză ridicată sau „1” pentru viteză redusă și cuplu ridicat. Asigurați-vă că pârghia de schimbare a vitezei se află în poziția corectă înainte de utilizare.

Dacă viteza mașinii scade extrem de mult în timpul utilizării în poziția „2”, glesați maneta în poziția „1” și reluați operația.

Reglarea cuplului de strângere

► Fig.6: 1. Inel de reglare 2. Gradație 3. Săgeată

Cuplul de strângere poate fi reglat în 17 trepte prin rotirea inelului de reglare. Aliniați gradațiile cu săgeata de pe corpul mașinii. Puteți obține momentul de strângere minim în poziția 1 și momentul maxim la marcajul 16. Ambreiajul va patina la diferite valori ale cuplului de strângere, dacă este reglat între valorile 1 și 16. Ambreiajul nu funcționează la marcajul 16. Înainte de folosirea propriu-zisă, înșurubați un șurub de probă în materialul dvs. sau într-o bucată de material identic pentru a determina valoarea cuplului de strângere necesară pentru o anumită utilizare.

ASAMBLARE

ATENȚIE: Asigurați-vă întotdeauna că mașina este oprită și cartușul acumulatorului este scos înainte de a executa orice lucrări la mașină.

Montarea sau demontarea capului de acționare/capului de burghiu

► Fig.7: 1. Mașon

Rotiți mașonul în sens antiorar pentru a deschide fălcile mandrinei. Introduceți capul de acționare/capul de burghiu în mandrină până când se oprește. Rotiți mașonul în sens orar pentru a strânge mandrina. Pentru a scoate capul de acționare/capul de burghiu, rotiți mașonul în sens antiorar.

Instalarea cârligului

Accesoriu opțional

AVERTIZARE: Utilizați piesele de suspendare/montare numai în scopul prevăzut; de exemplu, pentru suspendarea mașinii de o centură pentru mașină între întrebunțări sau între intervalele de lucru.

AVERTIZARE: Aveți grijă să nu supraîncărcați cârligul, deoarece prea multă forță sau o sarcină excesivă neregulată poate deteriora mașina, cauzând vătămări corporale.

ATENȚIE: Când instalați cârligul, strângeți-l întotdeauna ferm cu șurubelnița. În caz contrar, se poate desprinde de mașină și vă poate răni.

ATENȚIE: Asigurați-vă că ați suspendat bine mașina înainte de a-i da drumul. O fixare insuficientă sau dezechilibrată în cârlig poate provoca căderea și puteți fi rănit.

► Fig.8: 1. Canelură 2. Cârlig 3. Șurub

Cârligul este util pentru suspendarea temporară a mașinii. Acesta poate fi instalat pe oricare latură a mașinii. Pentru a instala cârligul, introduceți-l într-o canelură din carcasa mașinii de pe oricare latură și fixați-l cu un șurub. Pentru demontare, slăbiți șurubul și apoi scoateți-l.

Utilizarea orificiului

⚠️ AVERTIZARE: Nu utilizați niciodată orificiul de suspendare în alte scopuri decât destinația de utilizare, de exemplu, pentru agățarea mașinii în locuri înalte. Aplicarea tensiunii asupra unui orificiu suprasolicitat poate deteriora orificiul, ceea ce poate produce răni pentru dvs. sau pentru persoanele din jurul sau de dedesubtul dvs.

► Fig.9: 1. Orificiu de suspendare

Utilizați orificiul de suspendare din partea de jos spate a mașinii pentru a suspenda mașina pe un perete, utilizând un cordon sau corzi similare.

OPERAREA

⚠️ ATENȚIE: Introduceți întotdeauna complet cartușul acumulatorului până când se blochează în locaș. Dacă puteți vedea indicatorul roșu din partea superioară a butonului, acesta nu este blocat complet. Introduceți-l complet, până când indicatorul roșu nu mai este vizibil. În caz contrar, acesta poate cădea accidental din mașină provocând rănirea dumneavoastră sau a persoanelor din jur.

⚠️ ATENȚIE: Când viteza scade extrem de mult, reduceți sarcina sau opriți mașina, pentru a preveni defectarea acesteia.

Țineți mașina ferm cu o mână de mâner și cu cealaltă mână de partea inferioară a cartușului acumulatorului, pentru a contracara mișcarea de torsiune.

► Fig.10

Înșurubarea


⚠️ ATENȚIE: Ajustați inelul de reglare la valoarea corectă a cuplului de strângere pentru lucrarea dvs.

⚠️ ATENȚIE: Asigurați-vă că ați introdus drept capul de acționare în capul șurubului, în caz contrar șurubul și/sau capul de acționare se pot/ poate deteriora.

Poziționați vârful capului de acționare în capul șurubului și apăsați pe mașină. Porniți mașina încet și apoi măriți treptat viteza. Eliberați butonul declanșator imediat ce ambreiajul intervine.

NOTĂ: La înfiletarea unui șurub pentru lemn, efectuați în prealabil o gaură pilot cu un diametru de 2/3 din diametrul șurubului. În acest fel, găurirea va fi mai ușoară și se previne despicarea piesei de lucru.

Găurirea

Mai întâi, rotiți inelul de reglare astfel încât săgeata să indice spre marcajul . Apoi, procedați după cum urmează.

Găurirea lemnului

Când găuriți lemn, obțineți cele mai bune rezultate cu burghiile de lemn dotate cu șurub de ghidaj. Șurubul de ghidare ușurează găurirea trăgând capul de burghiu în piesa de prelucrat.

Găurirea metalului

Pentru a preveni alunecarea capului de burghiu atunci când începeți găurirea, realizați o adâncitură cu un dorn și un ciocan în punctul în care se va găuri. Așezați vârful capului de burghiu în adâncitură și începeți găurirea. Folosiți un lubrifiant de tăiere atunci când găuriți metale. Excepție fac fierul și alama, care trebuie găurite pe uscat.

⚠️ ATENȚIE: Aplicarea unei forțe excesive asupra mașinii nu va grăbi operațiunea de găurire. De fapt, presiunea excesivă nu va face decât să deterioreze burghiul, reducând performanțele mașinii și durata de viață a acesteia.

⚠️ ATENȚIE: Țineți mașina ferm și procedați cu atenție atunci când capul de burghiu trece prin piesa de prelucrat. Asupra mașinii/capului de burghiu este exercitată o forță enormă în momentul în care gaura este străpunsă.

⚠️ ATENȚIE: Un cap de burghiu blocat se poate debloca prin simpla setare a inversorului pentru rotația în sens invers, pentru retragere. Totuși, mașina se poate retrage brusc dacă nu o țineți ferm.

⚠️ ATENȚIE: Piesele trebuie fixate întotdeauna cu o menhină sau cu un alt dispozitiv similar de fixare.

⚠️ ATENȚIE: Dacă mașina este folosită continuu până la descărcarea cartușului acumulatorului, lăsați mașina în repaus timp de 15 minute înainte de a continua cu un acumulator nou.

ÎNȚREȚINERE

⚠️ ATENȚIE: Asigurați-vă întotdeauna că mașina este oprită și cartușul acumulatorului scos înainte de a executa lucrările de inspecție și întreținere.

NOTĂ: Nu utilizați niciodată gazolină, benzină, diluant, alcool sau alte substanțe asemănătoare. În caz contrar, pot rezulta decolorări, deformări sau fisuri.

Pentru a menține SIGURANȚA și FIABILITATEA produsului, reparațiile, verificarea și înlocuirea perilor de carbon, precum și orice alte operațiuni de întreținere sau de reglare trebuie să fie efectuate numai la Centrele de service autorizat Makita, folosindu-se întotdeauna piese de schimb Makita.

ACCESORII OPȚIONALE

ATENȚIE: Folosiți accesoriile sau piesele auxiliare recomandate pentru mașina dumneavoastră Makita în acest manual. Utilizarea oricăror alte accesorii sau piese auxiliare poate prezenta risc de vătămare corporală. Utilizați accesoriile și piesele auxiliare numai în scopul destinat.

Dacă aveți nevoie de asistență sau de mai multe detalii referitoare la aceste accesorii, adresați-vă centrului local de service Makita.

- Capete de burghiu
- Capete de acționare
- Cârlig
- Acumulator și încărcător original Makita
- Adaptor automat de reîmprospătare
- Cutie de plastic pentru transport

NOTĂ: Unele articole din listă pot fi incluse ca accesorii standard în ambalajul de scule. Acestea pot diferi în funcție de țară.

ТЕХНІЧНІ ХАРАКТЕРИСТИКИ

Модель:		DDF343	DDF453
Величина свердління	Сталь	10 мм	13 мм
	Деревина	25 мм	36 мм
Величина затягування	Шуруп	5,1 мм x 63 мм	6 мм x 75 мм
	Гвинт для металу	M6	
Швидкість без навантаження	Висока (2)	0 — 1 300 хв ⁻¹	
	Низька (1)	0 — 400 хв ⁻¹	
Загальна довжина		192 мм	214 мм
Номінальна напруга		14,4 В пост. струму	18 В пост. струму
Маса нетто		1,4—1,7 кг	1,7—2,0 кг

- Оскільки наша програма наукових досліджень і розробок триває безперервно, наведені тут технічні характеристики можуть бути змінені без попередження.
- У різних країнах технічні характеристики можуть бути різними.
- Вага може відрізнятись залежно від допоміжного обладнання, наприклад касети з акумулятором. Найлегші та найважчі комплекти, відповідно до стандарту ЕРТА (Європейська асоціація виробників електроінструменту) від січня 01/2014 року, представлено в таблиці.

Застосовна касета з акумулятором і зарядний пристрій

Касета з акумулятором	Модель 14,4 В пост. тока	BL1415N / BL1430B / BL1440 / BL1460B
	Модель 18 В пост. тока	BL1815N / BL1820B / BL1830B / BL1840B / BL1850B / BL1860B
Зарядний пристрій		DC18RC / DC18RD / DC18RE / DC18SD / DC18SE / DC18SF / DC18SH / DC18WC

- Деякі касети з акумулятором і зарядні пристрої, які вказано вище, можуть бути недоступними залежно від вашого регіону або місця перебування.

⚠ ПОПЕРЕДЖЕННЯ: Використовуйте лише касети з акумулятором і зарядні пристрої, перелічені вище. Використання будь-яких інших касет з акумулятором і зарядних пристроїв може призвести до травмування й/або пожежі.

Призначення

Інструмент призначено для свердління та вкручування гвинтів у деревину, метал та пластмасу.

Шум

Рівень шуму за шкалою А в типовому виконанні, визначений відповідно до стандарту EN62841-2-1:

Модель DDF343

Рівень звукового тиску (L_{pA}): 70 дБ (А) чи менше
Похибка (К): 3 дБ (А)

Рівень шуму під час роботи може перевищувати 80 дБ (А).

Модель DDF453

Рівень звукового тиску (L_{pA}): 72 дБ (А)
Похибка (К): 3 дБ (А)

Рівень шуму під час роботи може перевищувати 80 дБ (А).

ПРИМІТКА: Заявлене значення шуму було виміряно відповідно до стандартних методів тестування й може використовуватися для порівняння одного інструмента з іншим.

ПРИМІТКА: Заявлене значення шуму може також використовуватися для попереднього оцінювання впливу.

⚠ ПОПЕРЕДЖЕННЯ: Користуйтеся засобами захисту органів слуху.

⚠ ПОПЕРЕДЖЕННЯ: Залежно від умов використання рівень шуму під час фактичної роботи електроінструмента може відрізнятись від заявленого значення вібрації; особливо сильно на це впливає тип деталі, що оброблюється.

⚠ ПОПЕРЕДЖЕННЯ: Забезпечте належні запобіжні заходи для захисту оператора, що відповідатимуть умовам використання інструмента (слід брати до уваги всі складові робочого циклу, як-от час, коли інструмент вимкнено та коли він починає працювати на холостому ході під час запуску).

Вібрація

Загальна величина вібрації (векторна сума трьох напрямків) визначена згідно з EN62841-2-1:

Режим роботи: свердління металу
Вібрація (a_{hD}): 2,5 м/с² або менше
Похибка (К): 1,5 м/с²

ПРИМІТКА: Заявлене загальне значення вібрації було виміряно відповідно до стандартних методів тестування й може використовуватися для порівняння одного інструмента з іншим.

ПРИМІТКА: Заявлене загальне значення вібрації може також використовуватися для попереднього оцінювання впливу.

⚠ ПОПЕРЕДЖЕННЯ: Залежно від умов використання вібрація під час фактичної роботи електроінструмента може відрізнятися від заявленого значення вібрації; особливо сильно на це впливає тип деталі, що оброблюється.

⚠ ПОПЕРЕДЖЕННЯ: Забезпечте належні запобіжні заходи для захисту оператора, що відповідатимуть умовам використання інструмента (слід брати до уваги всі складові робочого циклу, як-от час, коли інструмент вимкнено та коли він починає працювати на холостому ході під час запуску).

Декларація про відповідність стандартам ЄС

Тільки для країн Європи

Декларацію про відповідність стандартам ЄС наведено в Додатку А до цієї інструкції з експлуатації.

ПОПЕРЕДЖЕННЯ ПРО ДОТРИМАННЯ ТЕХНІКИ БЕЗПЕКИ

Загальні застереження щодо техніки безпеки при роботі з електроінструментами

⚠ ПОПЕРЕДЖЕННЯ: Уважно ознайомтеся з усіма попередженнями про дотримання правил техніки безпеки, інструкціями, ілюстраціями та технічними характеристиками, що стосуються цього електроінструмента. Невиконання будь-яких інструкцій, перелічених нижче, може призвести до ураження електричним струмом, пожежі та/або тяжких травм.

Збережіть усі інструкції з техніки безпеки та експлуатації на майбутнє.

Термін «електроінструмент», зазначений у інструкції з техніки безпеки, стосується електроінструмента, який функціонує від електромережі (електроінструмент з кабелем живлення), або електроінструмента з живленням від батареї (безпроводний електроінструмент).

Попередження про необхідну обережність під час роботи з дрилем із бездротовим приводом

Інструкції з техніки безпеки під час виконання робіт

1. Тримайте електроінструмент за спеціальні ізольовані поверхні під час роботи в місцях, де різальне приладдя або кріпильні вироби можуть зачепити приховану електропроводку. Торкання різальним приладдям або кріпильним виробом дроту під напругою може призвести до передавання напруги до оголених металевих частин інструмента й ураження оператора електричним струмом.
2. Обов'язково забезпечте надійну опору. При виконанні робіт з інструментом на висоті переконайтеся, що внизу нікого немає.
3. Тримайте інструмент міцно.
4. Не торкайтеся руками деталей, що обертаються.
5. Не залишайте інструмент, який працює. Працюйте з інструментом тільки тоді, коли тримаєте його в руках.
6. Не торкайтеся свердла, деталі або ошукрок відразу після роботи; вони можуть бути дуже гарячими й спричинити опіки.
7. Деякі матеріали мають у своєму складі токсичні хімічні речовини. Будьте обережні, щоб не допустити вдихання пилу та його контакту зі шкірою. Дотримуйтеся правил техніки безпеки виробника матеріалу.
8. Якщо свердло не можна відпустити навіть за відкритих лещат, витягніть його за допомогою плоскогубців. Витягування свердла в такому випадку може призвести до поранення його гострим краєм.
9. Переконайтеся у відсутності електричних кабелів, водопровідних і газових труб тощо, які можуть становити небезпеку в разі пошкодження їх інструментом.

Інструкції з техніки безпеки під час використання подовжених свердел

1. Заборонено працювати на робочій частоті, яка перевищує максимальне номінальне значення для свердла. На вищих робочих частотах свердло може зігнути, якщо обертається вільно без контакту із заготівкою, що може призвести до травми.
2. Завжди починайте свердління на низькій робочій частоті, притиснувши кінчик свердла до заготівки. На вищих робочих частотах свердло може зігнути, якщо обертається вільно без контакту із заготівкою, що може призвести до травми.
3. Тисніть на інструмент тільки за віссю свердла й не притискайте його занадто сильно. Свердла можуть зігнути, що призведе до поломки або втрати контролю — це може стати причиною травми.

ЗБЕРІГАЙТЕ ЦІ ВКАЗІВКИ.

▲ПОПЕРЕДЖЕННЯ: **НИКОЛИ НЕ** втрачайте пильності та не розслабляйтеся під час користування виробом (що можливо при частому використанні); обов'язково строго дотримуйтеся відповідних правил безпеки. **НЕНАЛЕЖНЕ ВИКОРИСТАННЯ** або недотримання правил безпеки, викладених у цій інструкції з експлуатації, може призвести до серйозних травм.

Важливі інструкції з безпеки для касети з акумулятором

1. Перед тим як користуватися касетою з акумулятором, слід прочитати всі інструкції та застережні знаки щодо (1) зарядного пристрою акумулятора, (2) акумулятора та (3) виробів, що працюють від акумулятора.
2. Не розбирайте касету з акумулятором і не змінюйте її конструкцію. Це може призвести до пожежі, перегріву або вибуху.
3. Якщо період роботи дуже покоротшав, слід негайно припинити користування. Це може призвести до виникнення ризику перегріву, опіку та навіть вибуху.
4. У разі потраплення електроліту в очі слід промити їх чистою водою та негайно звернутися до лікаря. Це може призвести до втрати зору.
5. Не закоротіть касету з акумулятором.
 - (1) Не слід торкатися клем будь-яким струмопровідним матеріалом.
 - (2) Не слід зберігати касету з акумулятором у ємності з іншими металевими предметами, такими як цвяхи, монети тощо.
 - (3) Не залишайте касету з акумулятором під дощем, запобігайте контакту з водою.

Коротке замикання може призвести до появи значного струму, перегріву, можливих опіків та навіть виходу з ладу.
6. Не слід зберігати й використовувати інструмент і касету з акумулятором у місцях, де температура може сягнути чи перевищити 50 °C (122 °F).
7. Не слід спалювати касету з акумулятором, навіть якщо вона була неодноразово пошкоджена або повністю спрацьована. Касета з акумулятором може вибухнути у вогні.
8. Заборонено забивати цвяхи в касету з акумулятором, різати, ламати, кидати, впускати касету з акумулятором або вдаряти її твердим предметом. Це може призвести до пожежі, перегріву або вибуху.
9. Не слід використовувати пошкоджений акумулятор.
10. Літій-іонні акумулятори, що містяться в інструменті, мають відповідати вимогам законів про небезпечні товари.

Під час транспортування за допомогою комерційних перевезень, наприклад із залучанням третьої сторони та експедиторів, необхідно дотримуватись особливих вимог, вказаних на пакуванні й у маркуванні.

Під час підготування позиції до відправлення необхідно проконсультуватись зі спеціалістом з небезпечних матеріалів. Крім того, слід виконувати більш докладні національні настанови, якщо такі є.

Заклейте відкриті контакти стрічкою або заховайте їх і запакуйте акумулятор таким чином, щоб він не міг рухатися в пакуванні.

11. Для утилізації касети з акумулятором витягніть її з інструмента та утилізуйте безпечним способом. Дотримуйтеся норм місцевого законодавства щодо утилізації акумуляторів.
12. Використовуйте акумулятори лише з виробами, указаними компанією Makita. Установлення акумуляторів у невідповідні вироби може призвести до пожежі, надмірного нагрівання, вибуху чи витоку електроліту.
13. Якщо інструментом не користуватимуться протягом тривалого періоду часу, вийміть акумулятор з інструмента.
14. Під час і після використання касета з акумулятором може нагріватися, що може стати причиною опіків або низькотемпературних опіків. Будьте обережні під час поводження з гарячою касетою з акумулятором.
15. Не торкайтеся контактів інструмента відразу після використання, оскільки він може бути досить гарячим, щоб викликати опіки.
16. Не допускайте, щоб уламки, пил або земля прилипали до контактів, отворів і пазів на касеті з акумулятором. Це може призвести до перегріву, займання, вибуху та виходу з ладу інструмента або касети з акумулятором і спричинити опіки або травми.
17. Якщо інструмент не розраховано на використання поблизу високовольтних ліній електропередач, не використовуйте касету з акумулятором поблизу високовольтних ліній електропередач. Це може призвести до несправності, поломки інструмента або касети з акумулятором.
18. Тримайте акумулятор у недоступному для дітей місці.

ЗБЕРІГАЙТЕ ЦІ ВКАЗІВКИ.

▲ОБЕРЕЖНО: Використовуйте тільки акумулятори Makita. Використання акумуляторів, інших ніж оригінальні акумулятори Makita, або акумуляторів, конструкцію яких було змінено, може призвести до вибуху акумулятора і спричинити пожежу, травму або пошкодження. У зв'язку з цим також буде анульовано гарантію Makita на інструмент Makita і на зарядний пристрій.

Поради з забезпечення максимального строку експлуатації акумулятора

1. Касету з акумулятором слід заряджати до того, як він розрядиться повністю. Завжди слід зупиняти роботу інструмента та зарядити акумулятор, якщо ви помітили зменшення потужності інструмента.

2. Ніколи не слід заряджати повторно повністю заряджену касету з акумулятором. Перезарядження скорочує строк експлуатації акумулятора.
3. Заряджайте касету з акумулятором при кімнатній температурі 10°C - 40°C (50°F - 104°F). Перед тим як заряджати касету з акумулятором, слід зачекати, доки вона охолоне.
4. Коли касета з акумулятором не використовується, виймайте її з інструмента або зарядного пристрою.
5. Якщо касета з акумулятором не використовувалася тривалий час (понад шість місяців), її слід зарядити.

ОПИС РОБОТИ

▲ ОБЕРЕЖНО: Обов'язково переконайтеся, що прилад вимкнено, а касету з акумулятором знято, перед регулюванням або перевіркою функціонування інструмента.

Встановлення та зняття касети з акумулятором

▲ ОБЕРЕЖНО: Завжди вимикайте інструмент перед встановленням або зняттям касети з акумулятором.

▲ ОБЕРЕЖНО: Під час встановлення або зняття касети з акумулятором слід міцно тримати інструмент та касету з акумулятором. Якщо ви утримуватимете інструмент та касету з акумулятором недостатньо міцно, вони можуть вислизнути з рук, що може призвести до пошкодження інструмента та касети з акумулятором або може спричинити травми.

► **Рис.1:** 1. Червоний індикатор 2. Кнопка 3. Касета з акумулятором

Щоб зняти касету з акумулятором, слід витягнути її з інструмента, натиснувши на кнопку в передній частині касети.

Щоб установити касету з акумулятором, слід сумістити виступ на касеті з акумулятором із пазом у корпусі й вставити касету на місце. Вставляйте її до кінця, щоб вона зафіксувалася з легким клацанням. Якщо ви бачите червоний індикатор, як показано на рисунку, її не зафіксовано повністю.

▲ ОБЕРЕЖНО: Завжди вставляйте касету з акумулятором повністю, щоб червоного індикатора не було видно. Якщо цього не зробити, касета може випадково випасти з інструмента та завдати травми вам або людям, що знаходяться поряд.









▲ ОБЕРЕЖНО: Не встановлюйте касету з акумулятором із зусиллям. Якщо касета не вставляється легко, то це означає, що ви її неправильно вставляєте.

Відображення залишкового заряду акумулятора

Тільки для касет з акумулятором, які мають індикатори

► **Рис.2:** 1. Індикаторні лампи 2. Кнопка перевірки

Натисніть кнопку перевірки на касеті з акумулятором для відображення залишкового ресурсу акумулятора. Індикаторні лампи загоряться на кілька секунд.

Індикаторні лампи			Залишковий ресурс
 Горить	 Вимк.	 Блимає	
			від 75 до 100%
			від 50 до 75%
			від 25 до 50%
			від 0 до 25%
			Зарядіть акумулятор.
			Можливо, акумулятор вийшов з ладу.
			
			

ПРИМІТКА: Залежно від умов використання та температури оточуючого середовища показання можуть незначним чином відрізнятися від дійсного ресурсу.

ПРИМІТКА: Перша (дальня ліва) індикаторна лампа блимає під час роботи захисної системи акумулятора.

Система захисту інструмента/акумулятора

Інструмент оснащено системою захисту інструмента/акумулятора. Ця система автоматично вимикає живлення з метою подовження терміну служби інструмента й акумулятора. Інструмент автоматично зупиняється під час роботи, якщо інструмент або акумулятор перебувають у зазначених далі умовах.

Захист від перевантаження

Цей захист спрацює в разі занадто високого споживання струму інструментом у поточному режимі експлуатації. У такому випадку вимкніть інструмент і припиніть роботу, під час виконання якої сталося перевантаження інструмента. Щоб перезапустити інструмент, увімкніть його знову.

Захист від перегрівання

Цей захист спрацює в разі перегрівання інструмента або акумулятора. У такому випадку дайте інструменту й акумулятору охолонути, перш ніж знову увімкнути інструмент.

Захист від надмірного розрядження

Цей захист спрацює, коли рівень заряду акумулятора стає низьким. У цій ситуації вийміть акумулятор з інструмента й зарядіть його.

Дія вимикача

► **Рис.3:** 1. Курок вмикача

⚠ОБЕРЕЖНО: Перед тим як вставляти касету з акумулятором в інструмент, обов'язково перевірте, чи курок вмикача спрацьовує належним чином та повертається у положення «ВИМК.», коли його відпускають.

Щоб увімкнути інструмент, просто натисніть на курок вмикача. Швидкість інструмента зростає, якщо збільшити тиск на курок вмикача. Щоб зупинити роботу, відпустіть курок вмикача.

Робота перемикача реверсу

► **Рис.4:** 1. Важіль перемикача реверсу

⚠ОБЕРЕЖНО: Перед початком роботи обов'язково перевіряйте напрям обертання.

⚠ОБЕРЕЖНО: Перемикач реверсу можна використовувати тільки після повної зупинки інструмента. Зміна напрямку обертання до повної зупинки інструмента може призвести до його пошкодження.

⚠ОБЕРЕЖНО: Коли інструмент не використовується, важіль перемикача реверсу повинен знаходитися в нейтральному положенні.

Цей інструмент обладнано перемикачем реверсу для зміни напрямку обертання. Для обертання за годинниковою стрілкою пересуньте важіль перемикача реверсу в положення А, проти годинникової стрілки — у положення В. Коли важіль перемикача реверсу перебуває в нейтральному положенні, курок вмикача не можна натиснути.

Зміна швидкості

► **Рис.5:** 1. Важіль зміни швидкості

⚠ОБЕРЕЖНО: Обов'язково встановлюйте важіль зміни швидкості у належне положення. Використання інструмента, коли важіль зміни швидкості розташовано між положеннями 1 та 2, може призвести до його пошкодження.

⚠ОБЕРЕЖНО: Не можна пересувати важіль зміни швидкості, коли інструмент працює. Це може призвести до пошкодження інструмента.

Положення важеля важіль зміни	Швидкість	Крутий момент	Застосування
1	Низька	Висока	Робота зі значним навантаженням
2	Високий	Низький	Робота з незначним навантаженням

Щоб змінити швидкість, спочатку вимкніть інструмент. Виберіть положення 2 для високої швидкості або положення 1 для низької швидкості з високим крутним моментом. Перед тим як починати роботу, переконайтеся, що важіль зміни швидкості встановлено у правильне положення.

Якщо швидкість інструмента сильно знижується під час роботи у положенні 2, пересуньте важіль у положення 1 і знову розпочніть роботу.

Регулювання моменту затягування

► **Рис.6:** 1. Кільце регулювання 2. Градування 3. Стрілка

Момент затягування можна відрегулювати за 17 рівнем повертанням кільця регулювання. Сумістіть поділки зі стрілкою на корпусі інструмента.

Мінімальний момент затягування відповідає позначці 1, а максимальний — позначці 17.

Зчеплення прослизатиме при різних моментах затягування у разі встановлення від позначки від 1 до 16.

Зчеплення не працює на позначці 17.

Перед тим як власне починати роботу, слід вкрутити пробний гвинт у матеріал або дублікат деталі, щоб визначити рівень моменту затягування, необхідний для цієї роботи.

ЗБОРКА

⚠ОБЕРЕЖНО: Обов'язково переконайтеся, що прилад вимкнено, а касету з акумулятором знято, перш ніж проводити будь-які роботи з інструментом.

Встановлення та зняття наконечника для викручування або свердла

► **Рис.7:** 1. Муфта

Поверніть муфту проти годинникової стрілки, щоб відкрити кулачки патрона. Вставте наконечник для викручування або свердло в патрон до упору. Поверніть муфту за годинниковою стрілкою, щоб затягнути кулачки патрона. Щоб зняти наконечник для викручування або свердло, поверніть муфту проти годинникової стрілки.

Встановлення гака

Додаткове приладдя

⚠ПОПЕРЕДЖЕННЯ: Використовуйте підвісні/монтажні елементи лише за призначенням, тобто для підвішування інструмента на ремінь для інструментів у перервах між роботами.

⚠ПОПЕРЕДЖЕННЯ: Слідкуйте за тим, щоб не перевантажувати гачок; надмірне зусилля чи перевантаження можуть пошкодити інструмент і призвести до травмування.

⚠ОБЕРЕЖНО: Під час установалення гачка надійно зафіксуйте його гвинтом. В іншому випадку гачок може від'єднатися від інструмента, що може призвести до травми.

⚠ОБЕРЕЖНО: Перш ніж випустити інструмент із рук, переконайтеся в надійності підвішування. Недостатньо надійне підвішування чи підвішування в нестійкому положенні можуть призвести до падіння інструмента та травмування.

► **Рис.8:** 1. Паз 2. Гак 3. Гвинт

Гак зручно використовувати для тимчасового підвішування інструмента. Його можна встановлювати на будь-якому боці інструмента. Щоб встановити гак, вставте його в паз на корпусі інструмента з будь-якого боку та закріпіть за допомогою гвинта. Щоб зняти гак, відпустіть гвинт і витягніть його.

Використання отвору

⚠ПОПЕРЕДЖЕННЯ: Не використовуйте отвір для підвішування в цілях, для яких він не призначений, як от для закріплення інструмента на значній висоті. У разі сильного навантаження на отвір він може пошкодитися, що може призвести до травмування людей поряд.

► **Рис.9:** 1. Отвір для підвішування

Використовуйте отвір для підвішування, що розташований у нижній задній частині інструмента, щоб підвішувати інструмент на стіну за допомогою шнура для підвішування чи схожих шнурів.

РОБОТА

⚠ОБЕРЕЖНО: Обов'язково вставляйте касету з акумулятором до кінця з фіксацією на місці. Якщо на верхній частині кнопки помітний червоний індикатор, це означає, що касета з акумулятором зафіксована не до кінця. Вставте касету повністю, щоб червоний індикатор зник. Якщо цього не зробити, касета може випадково випасти з інструмента та завдати травми вам або людям, що знаходяться поряд.

⚠ОБЕРЕЖНО: Коли швидкість сильно знижується, слід зменшити навантаження або зупинити інструмент, щоб уникнути його пошкодження.

Інструмент потрібно міцно тримати однією рукою за ручку, а другою — за низ касети з акумулятором для того, щоб керувати видовбувальним рухом.

► **Рис.10**

Загвинчування


⚠ОБЕРЕЖНО: Відрегулюйте кільце регулювання для встановлення крутного моменту, необхідного для роботи.

⚠ОБЕРЕЖНО: Перевірте, чи наконечник для викручування рівно вставлено в голівку гвинта, інакше гвинт та/або наконечник можуть пошкодитися.

Вставте кінець наконечника для викручування в голівку гвинта та натисніть на інструмент. Повільно запустіть інструмент, а потім поступово збільшуйте швидкість. Відпустіть курок вмикача, зойно буде задіяно зчеплення.

ПРИМІТКА: У разі викручування шурупа заздалегідь просвердліть напрямний отвір, діаметр якого становить 2/3 діаметра гвинта. Це полегшить викручування гвинта та дозволить уникнути розколювання оброблюваної деталі.

Свердління

Спочатку поверніть кільце регулювання таким чином, щоб стрілка вказувала на мітку . Потім виконайте такі дії.

Свердління деревини

Під час свердління деревини найліпші результати можна отримати, використовуючи свердла для деревини, обладнані напрямним гвинтом. Направний гвинт полегшує свердління тим, що він втягує свердло в оброблювану деталь.

Свердління металу

Щоб запобігти зісковзуванню свердла на початку свердління отвору, місце свердління необхідно накернити за допомогою керна та молотка. Встановіть кінець свердла в накернене місце та почніть свердління. Під час свердління металу слід використовувати мастильно-охолоджувальну рідину. Винятком є чавун та латунь, які свердлять насухо.

⚠ОБЕРЕЖНО: Прикладання до інструмента надмірного тиску не пришвидшує свердління. Насправді надмірний тиск може лише пошкодити свердло, погіршити характеристики інструмента та скоротити термін його експлуатації.

⚠ОБЕРЕЖНО: Слід тримати інструмент міцно та бути обережним, коли свердло починає входити в оброблювану деталь. Під час пробивання отвору до інструмента/свердла прикладається величезне зусилля.

⚠ОБЕРЕЖНО: Свердло, яке застрягло, можна легко видалити, встановивши важіль перемикача реверсу на зворотний напрямок обертання, щоб отримати задній хід. Але якщо інструмент не тримати міцно, він може різко відскочити.

⚠ОБЕРЕЖНО: Оброблювану деталь обов'язково необхідно затискати в лещатах або подібному пристрої фіксації.

⚠ОБЕРЕЖНО: У разі неперервної роботи інструмента до розрядження касети з акумулятором необхідно зробити перерву на 15 хвилин, перед тим як продовжувати роботу з новим акумулятором.

ТЕХНІЧНЕ ОБСЛУГОВУВАННЯ

⚠ ОБЕРЕЖНО: Перед здійсненням перевірки або обслуговування завжди перевіряйте, щоб інструмент був вимкнений, а касета з акумулятором була знята.

УВАГА: Ніколи не використовуйте газолін, бензин, розріджувач, спирт та подібні речовини. Їх використання може призвести до зміни кольору, деформації або появи тріщин.

Щоб гарантувати БЕЗПЕКУ та НАДІЙНІСТЬ продукції, ремонт, перевірку та заміну графітових щіток, будь-які інші роботи з технічного обслуговування та регулювання повинні проводити спеціалісти авторизованого або заводського сервісного центру Makita і лише з використанням запасних частин Makita.

ДОДАТКОВЕ ПРИЛАДДЯ

⚠ ОБЕРЕЖНО: Це додаткове та допоміжне обладнання рекомендовано використовувати з інструментом Makita, зазначеним у цій інструкції з експлуатації. Використання будь-якого іншого додаткового та допоміжного обладнання може становити небезпеку травмування. Використовуйте додаткове та допоміжне обладнання лише за призначенням.

У разі необхідності отримати допомогу в більш детальному ознайомленні з оснащенням звертайтеся до місцевого сервісного центру Makita.

- Свердла
- Наконечники для викручування
- Гак
- Оригінальний акумулятор та зарядний пристрій Makita
- Адаптер для автоматичного підзарядження
- Пластмасова валіза для транспортування

ПРИМІТКА: Деякі елементи списку можуть входити до комплекту інструмента як стандартне приладдя. Вони можуть відрізнятися залежно від країни.

ТЕХНИЧЕСКИЕ ХАРАКТЕРИСТИКИ

Модель:		DDF343	DDF453
Максимальный диаметр сверления	Сталь	10 мм	13 мм
	Дерево	25 мм	36 мм
Усилие затяжки	Шуруп	5,1 мм x 63 мм	6 мм x 75 мм
	Мелкий крепежный винт	M6	
Число оборотов без нагрузки	Высокое (2)	0 - 1 300 мин ⁻¹	
	Низкое (1)	0 - 400 мин ⁻¹	
Общая длина		192 мм	214 мм
Номинальное напряжение		14,4 В пост. тока	18 В пост. тока
Масса нетто		1,4 - 1,7 кг	1,7 - 2,0 кг

- Благодаря нашей постоянно действующей программе исследований и разработок указанные здесь технические характеристики могут быть изменены без предварительного уведомления.
- Технические характеристики могут различаться в зависимости от страны.
- Масса может отличаться в зависимости от дополнительного оборудования. Обратите внимание, что блок аккумулятора также считается дополнительным оборудованием. В таблице представлены комбинации с наибольшим и наименьшим весом в соответствии с процедурой EPTA 01/2014.

Подходящий блок аккумулятора и зарядное устройство

Блок аккумулятора	Модель 14,4 В пост. тока	BL1415N / BL1430B / BL1440 / BL1460B
	Модель 18 В пост. тока	BL1815N / BL1820B / BL1830B / BL1840B / BL1850B / BL1860B
Зарядное устройство		DC18RC / DC18RD / DC18RE / DC18SD / DC18SE / DC18SF / DC18SH / DC18WC

- В зависимости от региона проживания некоторые блоки аккумуляторов и зарядные устройства, перечисленные выше, могут быть недоступны.

⚠ ОСТОРОЖНО: Используйте только перечисленные выше блоки аккумуляторов и зарядные устройства. Использование других блоков аккумуляторов и зарядных устройств может привести к травме и/или пожару.

Назначение

Инструмент предназначен для сверления и закручивания шурупов в дерево, металл и пластик.

Шум

Типичный уровень взвешенного звукового давления (A), измеренный в соответствии с EN62841-2-1:

Модель DDF343

Уровень звукового давления (L_{pA}): 70 дБ (или менее)
Погрешность (K): 3 дБ (A)

Уровень шума при выполнении работ может превышать 80 дБ (A).

Модель DDF453

Уровень звукового давления (L_{pA}): 72 дБ (A)
Погрешность (K): 3 дБ (A)

Уровень шума при выполнении работ может превышать 80 дБ (A).

ПРИМЕЧАНИЕ: Заявленное значение распространения шума измерено в соответствии со стандартной методикой испытаний и может быть использовано для сравнения инструментов.

ПРИМЕЧАНИЕ: Заявленное значение распространения шума можно также использовать для предварительных оценок воздействия.

⚠ ОСТОРОЖНО: Используйте средства защиты слуха.

⚠ ОСТОРОЖНО: Распространение шума во время фактического использования электроинструмента может отличаться от заявленного значения в зависимости от способа применения инструмента и в особенности от типа обрабатываемой детали.

⚠ ОСТОРОЖНО: Обязательно определите меры безопасности для защиты оператора, основанные на оценке воздействия в реальных условиях использования (с учетом всех этапов рабочего цикла, таких как выключение инструмента, работа без нагрузки и включение).

Вибрация

Суммарное значение вибрации (сумма векторов по трем осям), определенное в соответствии с EN62841-2-1:

Рабочий режим: сверление металла

Распространение вибрации ($a_{h,D}$): 2,5 м/с² или менее
Погрешность (K): 1,5 м/с²

ПРИМЕЧАНИЕ: Заявленное общее значение распространения вибрации измерено в соответствии со стандартной методикой испытаний и может быть использовано для сравнения инструментов.

ПРИМЕЧАНИЕ: Заявленное общее значение распространения вибрации можно также использовать для предварительных оценок воздействия.

⚠ ОСТОРОЖНО: Распространение вибрации во время фактического использования электроинструмента может отличаться от заявленного значения в зависимости от способа применения инструмента и в особенности от типа обрабатываемой детали.

⚠ ОСТОРОЖНО: Обязательно определите меры безопасности для защиты оператора, основанные на оценке воздействия в реальных условиях использования (с учетом всех этапов рабочего цикла, таких как выключение инструмента, работа без нагрузки и включение).

Декларация о соответствии ЕС

Только для европейских стран

Декларация о соответствии ЕС включена в руководство по эксплуатации (Приложение А).

МЕРЫ БЕЗОПАСНОСТИ

Общие рекомендации по технике безопасности для электроинструментов

⚠ ОСТОРОЖНО: Ознакомьтесь со всеми предостереженными инструкциями по технике безопасности, указаниями, иллюстрациями и техническими характеристиками, прилагаемыми к данному электроинструменту. Несоблюдение каких-либо инструкций, указанных ниже, может привести к поражению электрическим током, пожару и/или серьезной травме.

Сохраните брошюру с инструкциями и рекомендациями для дальнейшего использования.

Термин "электроинструмент" в предупреждениях относится ко всему инструменту, работающему от сети (с проводом) или на аккумуляторах (без провода).

Меры безопасности при использовании аккумуляторной дрели-шурупверта

Инструкции по технике безопасности при выполнении работ

1. Если при выполнении работ существует риск контакта режущего инструмента или крепежей со скрытой электропроводкой, держите электроинструмент за специальные изолированные поверхности. Контакт режущего инструмента или крепежей с проводом под напряжением может привести к тому, что металлические детали инструмента также окажутся под напряжением, что может стать причиной поражения оператора током.
2. При выполнении работ всегда занимайте устойчивое положение. При использовании инструмента на высоте убедитесь в отсутствии людей внизу.
3. Крепко держите инструмент.
4. Руки должны находиться на расстоянии от вращающихся деталей.
5. Не оставляйте работающий инструмент без присмотра. Включайте инструмент только тогда, когда он находится в руках.
6. Не касайтесь головки сверла, обрабатываемой детали или опилок сразу же после работы: они могут быть очень горячими и обжечь кожу.
7. Некоторые материалы могут содержать токсичные химические вещества. Примите соответствующие меры предосторожности, чтобы избежать вдыхания или контакта с кожей таких веществ. Соблюдайте требования, указанные в паспорте безопасности материала.
8. Если головку сверла не удается ослабить даже с помощью открывания зажимов, воспользуйтесь плоскогубцами, чтобы вытянуть ее. Вытягивание головки сверла вручную может привести к травмированию ее острой кромкой.
9. Убедитесь в отсутствии поблизости электрических проводов, водопроводных и газовых труб и других предметов, которые могут стать причиной опасной ситуации в случае их повреждения при использовании инструмента.

Инструкции по технике безопасности при использовании удлиненных головок сверла

1. Запрещено работать на рабочей частоте, превышающей максимальные номинальные значения для головки сверла. На более высоких рабочих частотах сверло может изогнуться, если позволить ему вращаться свободно без контакта с заготовкой, что может привести к травме.
2. Всегда начинайте сверление на низкой частоте, прижав кончик сверла к заготовке. На более высоких рабочих частотах сверло может изогнуться, если позволить ему вращаться свободно без контакта с заготовкой, что может привести к травме.

3. Прикладывайте давление к инструменту только по оси сверла и не прижимайте сверло слишком сильно. Сверла могут согнуться, что приведет к поломке или потере контроля и может стать причиной травмы.

СОХРАНИТЕ ДАННЫЕ ИНСТРУКЦИИ.

▲ОСТОРОЖНО: НЕ ДОПУСКАЙТЕ, чтобы удобство или опыт эксплуатации данного устройства (полученный от многократного использования) доминировали над строгим соблюдением правил техники безопасности при обращении с этим устройством. НЕПРАВИЛЬНОЕ ИСПОЛЬЗОВАНИЕ инструмента или несоблюдение правил техники безопасности, указанных в данном руководстве, может привести к тяжелой травме.

Важные правила техники безопасности для работы с аккумуляторным блоком

1. Перед использованием аккумуляторного блока прочитайте все инструкции и предупреждающие надписи на (1) зарядном устройстве, (2) аккумуляторном блоке и (3) инструменте, работающем от аккумуляторного блока.
2. Не разбирайте блок аккумулятора и не меняйте его конструкцию. Это может привести к пожару, перегреву или взрыву.
3. Если время работы аккумуляторного блока значительно сократилось, немедленно прекратите работу. В противном случае, может возникнуть перегрев блока, что приведет к ожогам и даже к взрыву.
4. В случае попадания электролита в глаза промойте их обильным количеством чистой воды и немедленно обратитесь к врачу. Это может привести к потере зрения.
5. Не замыкайте контакты аккумуляторного блока между собой:
 - (1) Не прикасайтесь к контактам какими-либо токопроводящими предметами.
 - (2) Не храните аккумуляторный блок в контейнере вместе с другими металлическими предметами, такими как гвозди, монеты и т. п.
 - (3) Не допускайте попадания на аккумуляторный блок воды или дождя.Замыкание контактов аккумуляторного блока между собой может привести к возникновению большого тока, перегреву, возможному ожогу и даже поломке блока.
6. Не храните и не используйте инструмент и аккумуляторный блок в местах, где температура может достигать или превышать 50 °C (122 °F).
7. Не бросайте аккумуляторный блок в огонь, даже если он сильно поврежден или полностью вышел из строя. Аккумуляторный блок может взорваться под действием огня.
8. Запрещено вбивать гвозди в блок аккумулятора, резать, ломать, бросать, ронять блок аккумулятора или ударять его твердым предметом. Это может привести к пожару, перегреву или взрыву.

9. Не используйте поврежденный аккумуляторный блок.
10. Входящие в комплект литий-ионные аккумуляторы должны эксплуатироваться в соответствии с требованиями законодательства об опасных товарах. При коммерческой транспортировке, например, третьей стороной или экспедитором, необходимо нанести на упаковку специальные предупреждения и маркировку. В процессе подготовки устройства к отправке обязательно проконсультируйтесь со специалистом по опасным материалам. Также соблюдайте местные требования и нормы. Они могут быть строже. Закройте или закрепите разомкнутые контакты и упакуйте аккумулятор так, чтобы он не перемещался по упаковке.
11. Для утилизации блока аккумулятора извлеките его из инструмента и утилизируйте безопасным способом. Выполняйте требования местного законодательства по утилизации аккумуляторного блока.
12. Используйте аккумуляторы только с продукцией, указанной Makita. Установка аккумуляторов на продукцию, не соответствующую требованиям, может привести к пожару, перегреву, взрыву или утечке электролита.
13. Если инструментом не будут пользоваться в течение длительного периода времени, извлеките аккумулятор из инструмента.
14. Во время и после использования блок аккумулятора может нагреваться, что может стать причиной ожогов или низкотемпературных ожогов. Будьте осторожны при обращении с горячим блоком аккумулятора.
15. Не прикасайтесь к контактам инструмента сразу после использования, поскольку они могут быть достаточно горячими, чтобы вызвать ожоги.
16. Не допускайте налипания на контакты, отверстия и пазы блока аккумулятора опилок, пыли или земли. Это может стать причиной перегрева, возгорания, взрыва или неисправности инструмента или блока аккумулятора, что может привести к ожогам или травмам.
17. Если инструмент не рассчитан на использование вблизи высоковольтных линий электропередач, не используйте блок аккумулятора вблизи высоковольтных линий электропередач. Это может привести к неисправности, поломке инструмента или блока аккумулятора.
18. Храните аккумулятор в недоступном для детей месте.

СОХРАНИТЕ ДАННЫЕ ИНСТРУКЦИИ.

▲ВНИМАНИЕ: Используйте только фирменные аккумуляторные батареи Makita. Использование аккумуляторных батарей, не произведенных Makita, или батарей, которые были подвергнуты модификациям, может привести к взрыву аккумулятора, пожару, травмам и повреждению имущества. Это также автоматически аннулирует гарантию Makita на инструмент и зарядное устройство Makita.

Советы по обеспечению максимального срока службы аккумулятора

1. Заряжайте блок аккумулятора перед его полной разрядкой. Обязательно прекратите работу с инструментом и зарядите блок аккумуляторов, если вы заметили снижение мощности инструмента.
2. Никогда не подзаряжайте полностью заряженный блок аккумуляторов. Перезарядка сокращает срок службы аккумулятора.
3. Заряжайте блок аккумуляторов при комнатной температуре в 10 - 40 °C (50 - 104 °F). Перед зарядкой горячего блока аккумуляторов дайте ему остыть.
4. Если блок аккумулятора не используется, извлеките его из инструмента или зарядного устройства.
5. Зарядите ионно-литиевый аккумуляторный блок, если вы не будете пользоваться инструментом длительное время (более шести месяцев).

ОПИСАНИЕ РАБОТЫ

ВНИМАНИЕ: Перед регулировкой или проверкой функций инструмента обязательно убедитесь, что он выключен и его аккумуляторный блок снят.

Установка или снятие блока аккумуляторов

ВНИМАНИЕ: Обязательно выключайте инструмент перед установкой и извлечением аккумуляторного блока.

ВНИМАНИЕ: При установке и извлечении аккумуляторного блока крепко удерживайте инструмент и аккумуляторный блок. Если не соблюдать это требование, они могут выскользнуть из рук, что приведет к повреждению инструмента, аккумуляторного блока и травмированию оператора.

► Рис. 1: 1. Красный индикатор 2. Кнопка 3. Блок аккумулятора

Для снятия аккумуляторного блока нажмите кнопку на лицевой стороне и извлеките блок.

Для установки блока аккумулятора совместите выступ блока аккумулятора с пазом в корпусе и задвиньте его на место. Устанавливайте блок до упора, чтобы он зафиксировался с небольшим щелчком. Если вы видите красный индикатор, как показано на рисунке, он не зафиксирован полностью.

ВНИМАНИЕ: Обязательно устанавливайте блок аккумулятора до конца, чтобы красный индикатор не был виден. В противном случае блок аккумулятора может выпасть из инструмента и нанести травму вам или другим людям.

ВНИМАНИЕ: Не прилагайте чрезмерных усилий при установке аккумуляторного блока. Если блок не движется свободно, значит он вставлен неправильно.

Индикация оставшегося заряда аккумулятора

Только для блоков аккумулятора с индикатором

► Рис. 2: 1. Индикаторы 2. Кнопка проверки

Нажмите кнопку проверки на аккумуляторном блоке для проверки заряда. Индикаторы загорятся на несколько секунд.

Индикаторы			Уровень заряда
Горит	Выкл.	Мигает	
■ ■ ■ ■			от 75 до 100%
■ ■ ■ □			от 50 до 75%
■ ■ □ □			от 25 до 50%
■ □ □ □			от 0 до 25%
▬ □ □ □			Зарядите аккумуляторную батарею.
■ ■ □ □			Возможно, аккумуляторная батарея неисправна.
□ □ ■ ■			

ПРИМЕЧАНИЕ: В зависимости от условий эксплуатации и температуры окружающего воздуха индикация может незначительно отличаться от фактического значения.

ПРИМЕЧАНИЕ: Первая (дальняя левая) индикаторная лампа будет мигать во время работы защитной системы аккумулятора.

Система защиты инструмента/аккумулятора

На инструменте предусмотрена система защиты инструмента/аккумулятора. Она автоматически отключает питание для продления срока службы инструмента и аккумулятора. Инструмент автоматически отключится в указанных далее случаях, влияющих на работу самого инструмента или аккумулятора.

Защита от перегрузки

Эта защита срабатывает в случае слишком высокого потребления тока инструментом в текущем режиме эксплуатации. В этом случае выключите инструмент и прекратите работу, из-за которой произошла перегрузка инструмента. Затем включите инструмент для перезапуска.

Защита от перегрева

Эта защита срабатывает в случае перегрева инструмента или аккумулятора. В этом случае дайте инструменту и аккумулятору остыть перед повторным включением.

Защита от переразрядки

Эта защита срабатывает, когда уровень заряда аккумулятора становится низким. В этой ситуации извлеките аккумулятор из инструмента и зарядите его.

Действие выключателя

► Рис.3: 1. Триггерный переключатель

▲ВНИМАНИЕ: Перед установкой аккумуляторного блока в инструмент обязательно убедитесь, что его триггерный переключатель нормально работает и возвращается в положение "OFF" (ВЫКЛ) при отпускании.

Для запуска инструмента просто нажмите на триггерный переключатель. Для увеличения числа оборотов нажмите триггерный переключатель сильнее. Отпустите триггерный переключатель для остановки.

Действие реверсивного переключателя

► Рис.4: 1. Рычаг реверсивного переключателя

▲ВНИМАНИЕ: Перед работой всегда проверьте направление вращения.

▲ВНИМАНИЕ: Используйте реверсивный переключатель только после полной остановки инструмента. Изменение направления вращения до полной остановки инструмента может привести к его повреждению.

▲ВНИМАНИЕ: Если инструмент не используется, обязательно переведите рычаг реверсивного переключателя в нейтральное положение.

Этот инструмент оборудован реверсивным переключателем для изменения направления вращения. Нажмите на рычаг реверсивного переключателя со стороны А для вращения по часовой стрелке или со стороны В для вращения против часовой стрелки. Когда рычаг реверсивного переключателя находится в нейтральном положении, триггерный переключатель нажать нельзя.

Изменение скорости

► Рис.5: 1. Рычаг изменения скорости

▲ВНИМАНИЕ: Всегда устанавливайте рычаг изменения скорости в правильное положение до конца. Если Вы работаете с инструментом, а рычаг изменения скорости находится посередине между обозначениями "1" и "2", это может привести к повреждению инструмента.

▲ВНИМАНИЕ: Не используйте рычаг переключения скорости при работающем инструменте. Это может привести к повреждению инструмента.

Положение рычага переключения скорости	Скорость	Крутящий момент	Допустимые работы
1	Низкая	Высокая	Работа с высокой нагрузкой
2	Высокая	Низкая	Работа с малой нагрузкой

Для изменения скорости работы сначала выключите инструмент. Выберите положение "2" для высоких оборотов или положение "1" для низких оборотов с высоким крутящим моментом. Перед началом работ убедитесь в правильном положении рычага переключения скорости.

Если обороты инструмента значительно снизились во время работы в положении "2", переведите рычаг в положение "1" и продолжите работу.

Регулировка крутящего момента затяжки

► Рис.6: 1. Регулировочное кольцо 2. Градуировка 3. Стрелка

Крутящий момент затяжки настраивается поворотом регулировочного кольца (предусмотрено 17 положений). Совместите градуировку со стрелкой на корпусе инструмента. Минимальному крутящему моменту затяжки соответствует положение 1, а максимальному – отметка

Муфта будет проскальзывать при различных уровнях крутящего момента, установленного на значение от 1 до 16. Муфта не работает при выборе отметки

Перед выполнением работы закрутите пробный болт в ваш материал или деталь из такого материала для определения необходимого крутящего момента для данного конкретного применения.

СБОРКА

▲ВНИМАНИЕ: Перед проведением каких-либо работ с инструментом обязательно убедитесь, что инструмент отключен, а блок аккумулятора снят.

Установка или снятие насадки для отвертки или головки сверла

► Рис.7: 1. Муфта

Поверните муфту против часовой стрелки для открытия кулачков зажимного патрона. Вставьте насадку для отвертки или головку сверла в зажимной патрон как можно глубже. Поверните муфту по часовой стрелке для затяжки патрона. Для снятия насадки/головки поверните муфту против часовой стрелки.

Установка крючка

Дополнительные принадлежности

⚠ОСТОРОЖНО: Используйте подвесные/монтажные элементы только по назначению, то есть для подвешивания инструмента на пояс для инструментов в перерывах между работами.

⚠ОСТОРОЖНО: Следите за тем, чтобы не перегружать крючок; чрезмерное усилие или перегрузка могут повредить инструмент и привести к травме.

⚠ВНИМАНИЕ: При установке крючка надежно фиксируйте его винтом. В противном случае крючок может отсоединиться от инструмента, что может привести к травме.

⚠ВНИМАНИЕ: Прежде чем выпустить инструмент из рук, убедитесь в надежности подвеса. Недостаточно надежный подвес или подвешивание в неустойчивом положении могут привести к падению инструмента и травмам.

► Рис.8: 1. Паз 2. Крючок 3. Винт

Крючок удобен для временного подвешивания инструмента. Он может быть установлен с любой стороны инструмента. Для установки крючка вставьте его в паз в корпусе инструмента с одной из сторон и закрепите при помощи винта. Чтобы снять крючок, необходимо сначала отвернуть винт.

Использование отверстия

⚠ОСТОРОЖНО: Используйте отверстие для подвешивания исключительно по назначению, в т. ч. не крепите инструмент на большой высоте. При сильной несущей нагрузке на отверстие оно может повредиться, что может стать причиной травматизма окружающих.

► Рис.9: 1. Отверстие для подвешивания

Используйте отверстие для подвешивания в нижней задней части инструмента, чтобы вешать инструмент на стену с помощью шнура для подвешивания или аналогичных шнуров.

ЭКСПЛУАТАЦИЯ

⚠ВНИМАНИЕ: Всегда устанавливайте блок аккумулятора до упора так, чтобы он зафиксировался на месте. Если вы можете видеть красный индикатор на верхней части клавиши, блок аккумулятора не полностью установлен на месте. Установите его до конца так, чтобы красный индикатор был не виден. В противном случае блок может выпасть из инструмента и нанести травму вам или другим людям.

⚠ВНИМАНИЕ: В случае значительного снижения оборотов уменьшите нагрузку или остановите инструмент во избежание его повреждения.

Для управления выдалбливающим действием инструмента крепко держите его одной рукой за ручку, а другой - за нижнюю часть блока аккумуляторной батареи.

► Рис.10

Работа в режиме шуруповерта


⚠ВНИМАНИЕ: Установите регулировочное кольцо на соответствующий уровень крутящего момента для вашей работы.

⚠ВНИМАНИЕ: Следите за тем, чтобы насадка для отвертки вставлялась прямо в головку винта, иначе можно повредить винт и/или насадку.

Установите конец насадки в головку шурупа и надавите инструмент к шурупу. Включите инструмент на медленной скорости и затем постепенно увеличивайте ее. Отпустите триггерный переключатель, как только сработает сцепление.

ПРИМЕЧАНИЕ: При закручивании шурупов в дерево предварительно просверлите направляющее отверстие, диаметр которого равен 2/3 диаметра шурупа. Это облегчит закручивание шурупа и предотвратит возникновение трещин в детали.

Сверление

Сначала поверните регулировочное кольцо, чтобы совместить указатель со стрелкой . Затем действуйте следующим образом.

Сверление дерева

При сверлении дерева наилучшие результаты достигаются с применением сверл для дерева с направляющим винтом. Направляющий винт упрощает сверление, удерживая головку сверла в обрабатываемой детали.

Сверление металла

Для предотвращения скольжения сверла при начале сверления сделайте углубление с помощью кернера и молотка в точке сверления. Вставьте острие головки сверла в углубление и начните сверление. При сверлении металлов пользуйтесь смазочно-охлаждающей жидкостью. Исключение составляют железо и латунь, которые надо сверлить насухо.

ВНИМАНИЕ: Чрезмерное нажатие на инструмент не ускорит сверление. На самом деле, чрезмерное давление только повредит наконечник головки сверла, снизит производительность инструмента и сократит срок его службы.

ВНИМАНИЕ: Крепко удерживайте инструмент и будьте осторожны, когда головка сверла начинает проходить сквозь обрабатываемую деталь. В момент выхода головки сверла из детали возникает огромное усилие на инструмент/сверло.

ВНИМАНИЕ: Заклинившая головка сверла может быть без проблем извлечена из обрабатываемой детали путем изменения направления вращения при помощи реверсивного переключателя. Однако если вы не будете крепко держать инструмент, он может резко сдвинуться назад.

ВНИМАНИЕ: Всегда закрепляйте обрабатываемые детали в тисках или аналогичном зажимном устройстве.

ВНИМАНИЕ: Если инструмент эксплуатировался непрерывно до разряда блока аккумулятора, сделайте перерыв на 15 минут перед началом работы с заряженным аккумулятором.

ОБСЛУЖИВАНИЕ

ВНИМАНИЕ: Перед проведением проверки или работ по техобслуживанию всегда проверяйте, что инструмент выключен, а блок аккумуляторов снят.

ПРИМЕЧАНИЕ: Запрещается использовать бензин, растворители, спирт и другие подобные жидкости. Это может привести к обесцвечиванию, деформации и трещинам.

Для обеспечения БЕЗОПАСНОСТИ и НАДЕЖНОСТИ изделия ремонт, проверка и замена угольных щеток и любые другие работы по техобслуживанию или регулировке должны осуществляться в уполномоченных сервис-центрах Makita с использованием запасных частей только производства компании Makita.

ДОПОЛНИТЕЛЬНЫЕ ПРИНАДЛЕЖНОСТИ

ВНИМАНИЕ: Данные принадлежности или приспособления рекомендуются для использования с инструментом Makita, указанным в настоящем руководстве. Использование других принадлежностей или приспособлений может привести к получению травмы. Используйте принадлежность или приспособление только по указанному назначению.

Если вам необходимо содействие в получении дополнительной информации по этим принадлежностям, свяжитесь с вашим сервис-центром Makita.

- Головки сверл
- Насадки для отвертки
- Крючок
- Оригинальный аккумулятор и зарядное устройство Makita
- Адаптер для автоматической подзарядки
- Пластмассовый чемодан для переноски

ПРИМЕЧАНИЕ: Некоторые элементы списка могут входить в комплект инструмента в качестве стандартных приспособлений. Они могут отличаться в зависимости от страны.

Makita Europe N.V. Jan-Baptist Vinkstraat 2,
3070 Kortenberg, Belgium

Makita Corporation 3-11-8, Sumiyoshi-cho,
Anjo, Aichi 446-8502 Japan

www.makita.com

885264C966 EN, SL, SQ, BG, HR, MK, SR, RO, UK, RU 20211216
